

Product change information (PCN)

PCN No.:	PBE170099	Date:	01.12.2017
Product:	Changes to covers and partition plates for ST, PT, UT		

Order No.	Designation
	According to the product list

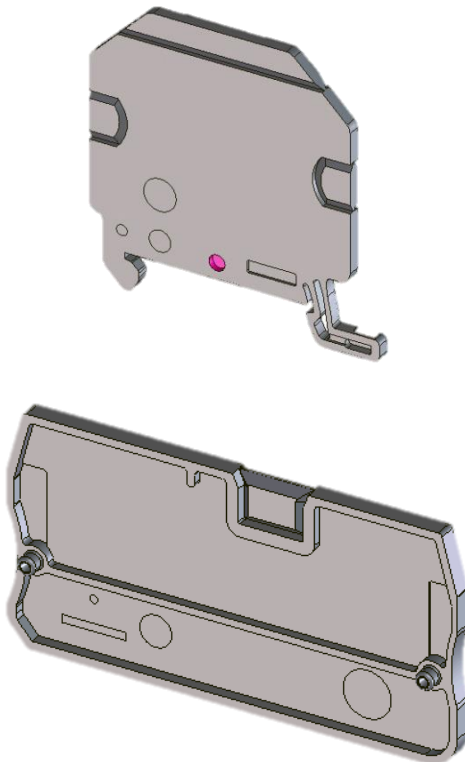
Description of the change

Product appearance (fit)
 Product geometry (form)
 Product function (function)

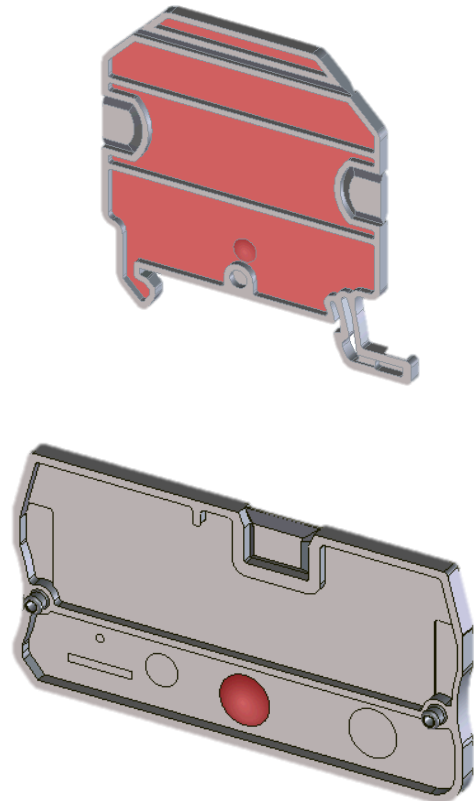
Optimization of injection points within the scope of new tools

The injection molding tools for the products had to be renewed. As part of this process, injection points have been optimized and other process-related optimizations were made. This affects the design of the cover, but has no effect on the functionality or compatibility of the elements. The red markings in the following drawings show the positions where the changes are visible.

Previous production status



New production status



Expected initial delivery of the changed product(s)

From May 2018