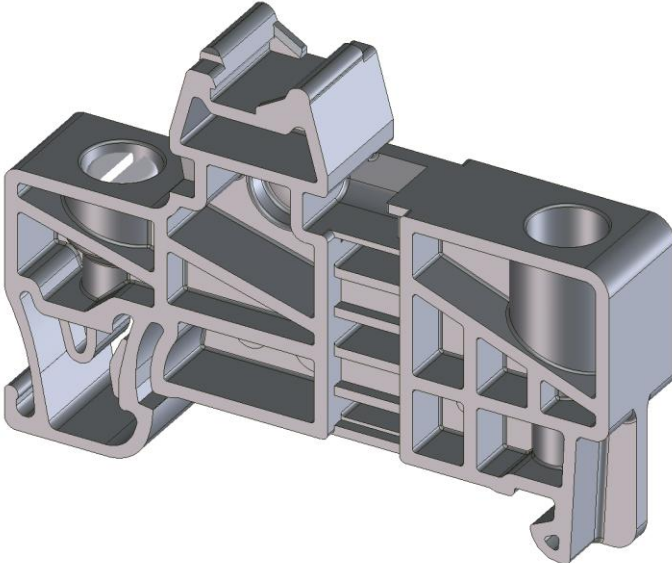
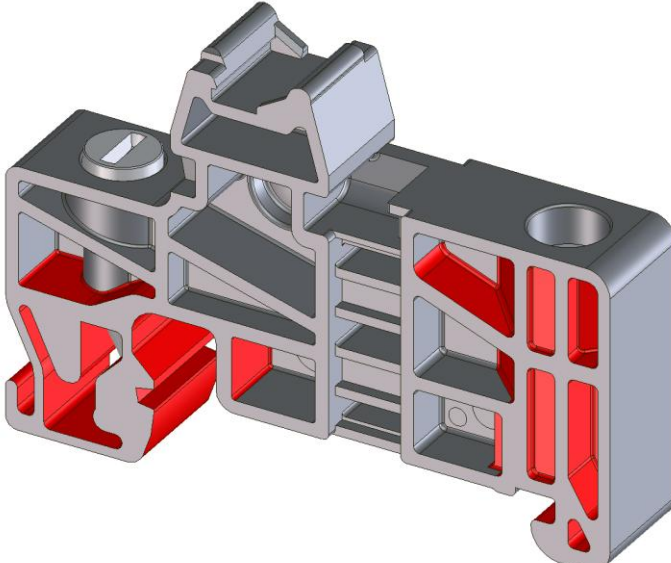


# Design adjustment for E/UK



E/UK old (V/C 04)



E/UK new (V/C 05)