



Pushing Performance

# HARTING Product Change Notification

PCN

**Business Unit:** Electronics  
**Product range:** Interface connectors / D-Sub  
**Author:** Hartmut Klaus  
**Title:** D-Sub hoods - External

**PCN/21/008/C+N**  
**Date:** 2021-03-31

## Details of Product Changes

### 1. Concerned part number (see also attachment):

See attached list

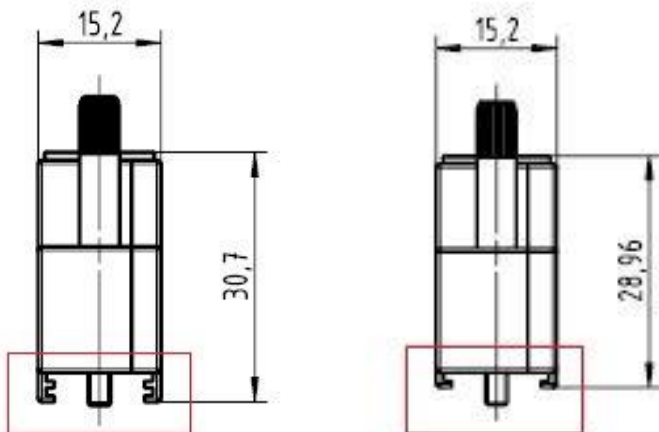
### 2. Description of changes / news:

In calendar year 2019 HARTING has changed some D-Sub hoods. At the outer side of the hoods a 2nd slit was implemented (see picture below). This slit was supposed to be used for a mechanical coding option to be launched in the future.

Please be informed, that HARTING will eliminate this 2nd slit. Thanks to this action the overall length of the hoods will be reduced to the former status.

Current design  
2 slits

future design  
1 slit



(the pictures show a side view of the 9-pole hood)

Once the new coding system will be introduced to the market, HARTING will create separate part numbers for corresponding hoods with two slits.

### 3. Impact on product specification:

The functional characteristics will remain unchanged and the new generation will be backward compatible with the today's versions.

### 4. Scheduled date of implementation:

The 1 slit types will be produced from 2021/10/01.



Pushing Performance

# HARTING Product Change Notification

**PCN**

## 5. Identification of change:

Part number remains the same, only the revision level will be increased.

## 6. Data sheet (optional):

- Data sheet,
  - updated TBs,
  - updated material data and
  - updated 3D models
- will be available at the scheduled time.