

# Product Change Notice

To: All concerned

From: Jose Ignacio Álava

Date: 01-02-2021

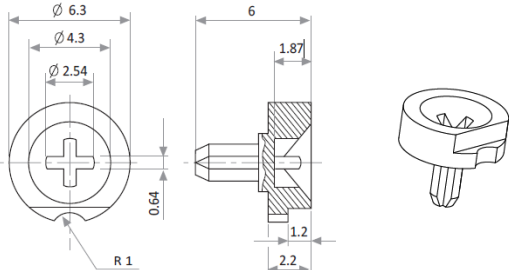
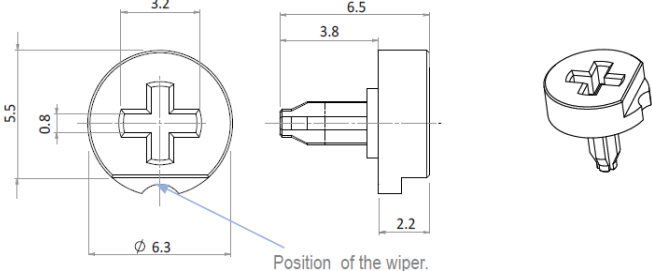

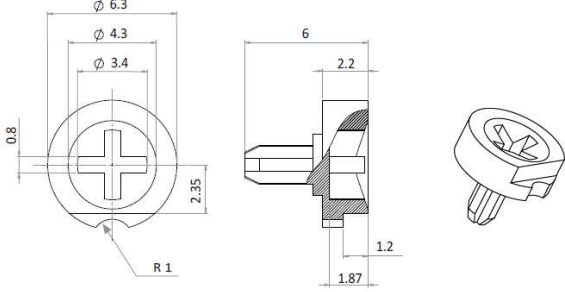
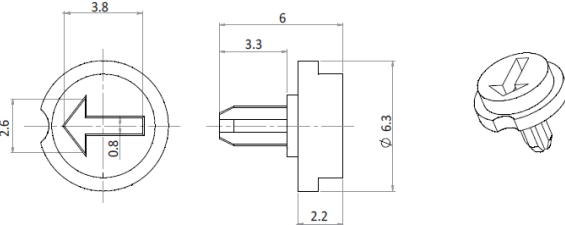
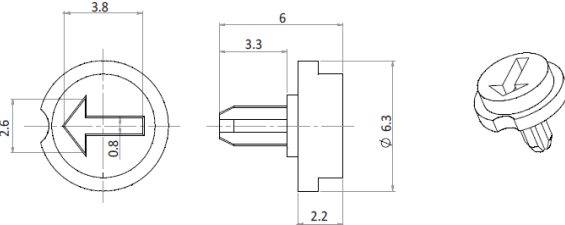
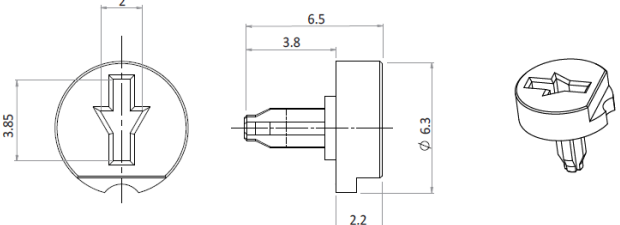

Nº Pages: 2

PCN Ref Nº: PT6WV with assembled knob figs. 1, 2 and 4 / change request

Please be advised that we are updating our potentiometer's knobs offering.

Some knobs are being replaced by new models to unify part numbers.

Please refer to the table below for the new replacement knob versus the current part number that will be end of life:

Current knob	New knob
<p>Ref.: 5155 / Fig. 1</p> 	<p>Ref.: 6148 / Fig. 5</p>  <p>Position of the wiper.</p> <p> <a href="http://www.piher.net/3d/PT6WVfig.5ref6148.zip">http://www.piher.net/3d/PT6WVfig.5ref6148.zip</a></p>
<p>Ref.: 5141 / Fig. 3 Colour: grey. For other colours check availability.</p> 	<p>Ref.: 6172 / Fig. 4 Colour: grey. For other colours check availability.</p> 
<p>Ref.: 6172 / Fig. 4 Colour: grey. For other colours check availability.</p> 	<p>Ref.: 6160 / Fig. 6</p>  <p> <a href="http://www.piher.net/3d/PT6WVfig.6ref.6160.zip">http://www.piher.net/3d/PT6WVfig.6ref.6160.zip</a></p>

PT6 “H” (horizontal adjust models) are not affected by this change.

We kindly request that you update your part numbers to use the new knob references.

---

**AFFECTED ARTICLES:** PT6 WV (vertical adjust) models with assembled knobs figs. 1, 2 and 4.

**SAMPLES AVAILABILITY DATE:** immediately.

**FIRST DATE TO SHIP CHANGED PARTS:** when current stock is finished.

---

We apologize for any inconvenience this may cause.

Thank you in advance for your kind cooperation and remain at your disposition for any further information you might require.

Sincerely,



**Jose Ignacio Álava**  
Engineering Director