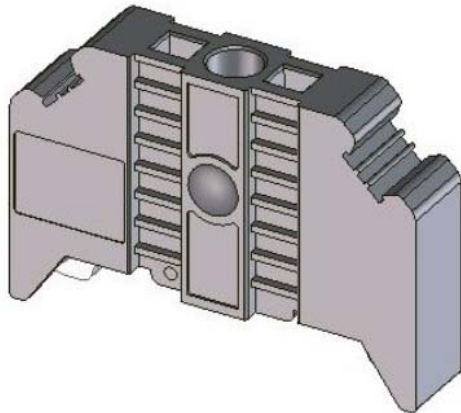


Product Change Notification

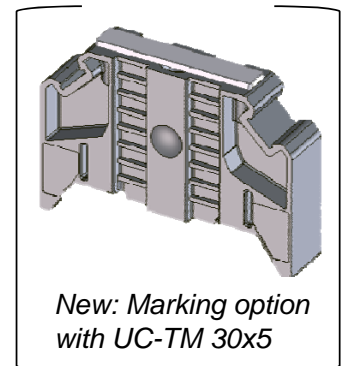
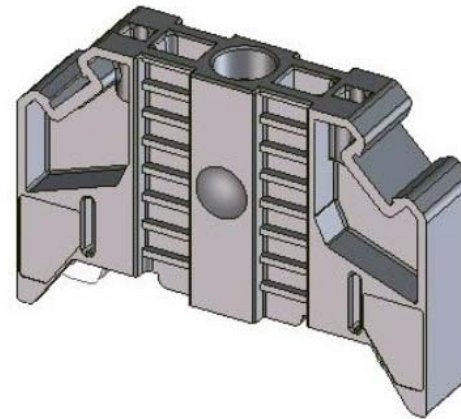
CBE 190204 – E/NS 35 N



existing type:



new type:



*New: Marking option
with UC-TM 30x5*