

Update - Discontinuation and optimization of QPD 4 x 2,5 mm² series



Welcome

QPD 4-pole 2,5 mm²

Optimization and discontinuation of QPD 4-pole 2,5 mm²



Brief description of modification

- QPD 4-pole 2,5 mm² will be discontinued and replaced by a Re-Design with new article numbers. The Re-Design will have better functionality and follows in design the rest of the QPD program. It will have the same dimensions like the existing QPD 5x1,5 mm². The Re-Design is **not** downward compatible.

Discontinuation date: 2021-08-31

- **Last order date:** 2021-04-30
- **Last shipment date:** 2021-07-31
- **INACTIVE:** 2021-08-31

Stock/delivery status

- **Existing inventory can still be used:** YES
- **Presumable first despatch of the optimized product(s):** already available
(Please see detailed product launch plan)

QPD 4-pole 2,5 mm²

Product program: Comparison

OLD DESIGN



Panel feed-through (W)

Cable connector (C/CW)

NEW DESIGN



NEW



NEW



NEW



NEW

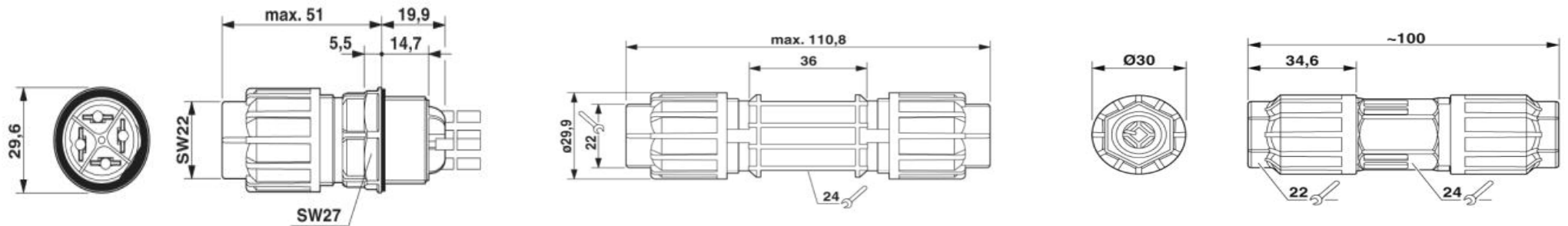


NEW

QPD 4-pole 2,5 mm²

Product program: Comparison dimensions

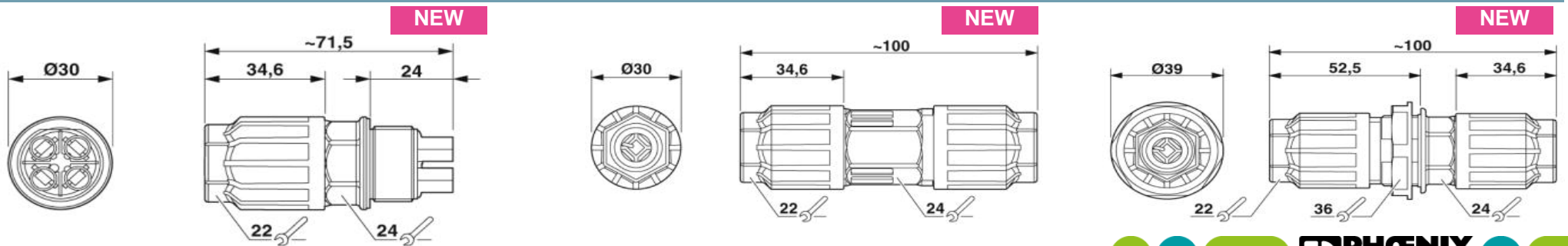
OLD DESIGN



Panel feed-through (W)

Cable connector (C/CW)

NEW DESIGN



QPD 4-pole 2,5 mm²

Product program: Comparison

OLD DESIGN



Plug (P)



H-distributor (H)

NOT EXISTING



QUICKON-nut (N)

NEW DESIGN



NEW



NEW



NEW

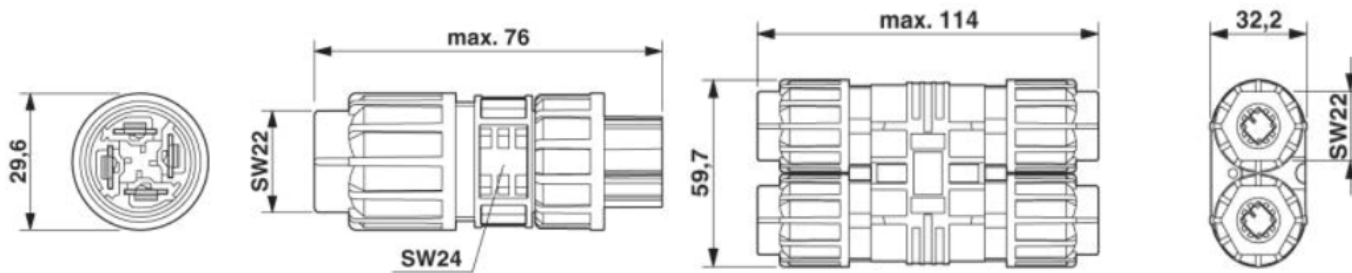


NEW

QPD 4-pole 2,5 mm²

Product program: Comparison dimensions

OLD DESIGN



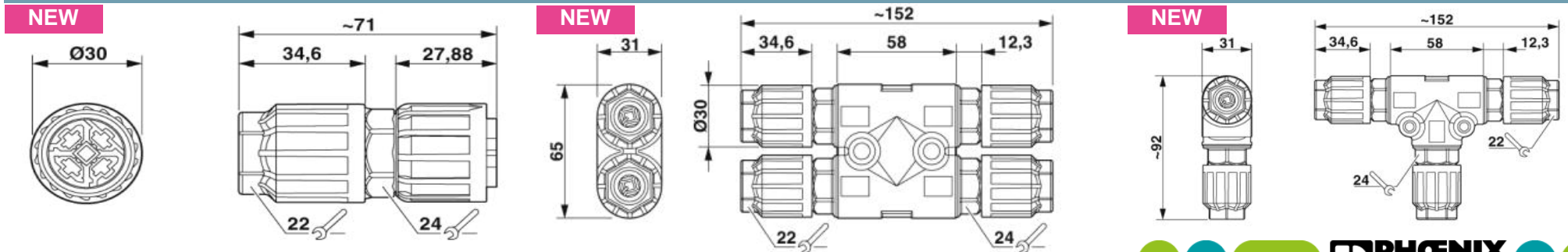
NOT EXISTING

Plug (P)

H-distributor (H)

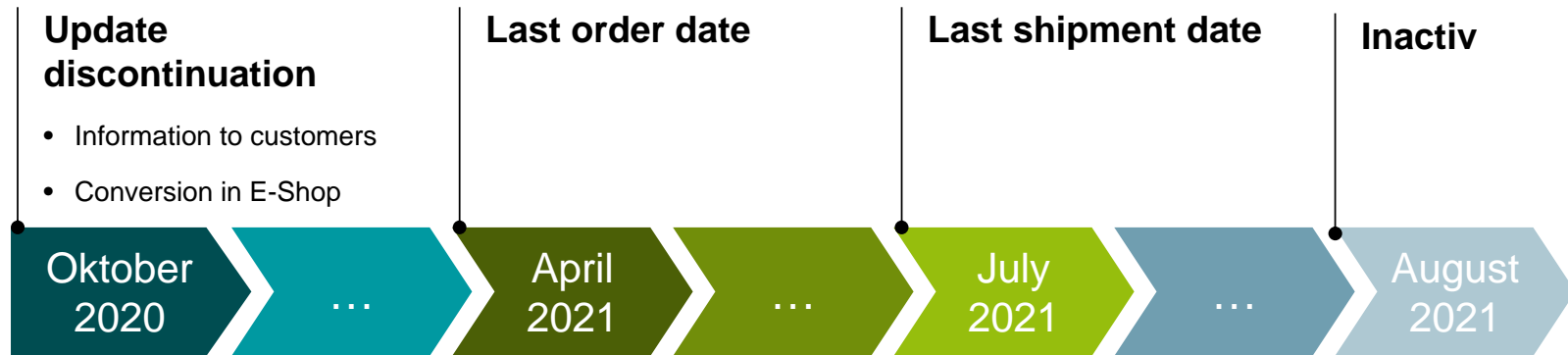
T-distributor (T)

NEW DESIGN



QPD 4-pole 2,5 mm²

Timeline for discontinuation for „old“ QPD 4 x 2,5 series





Thank you