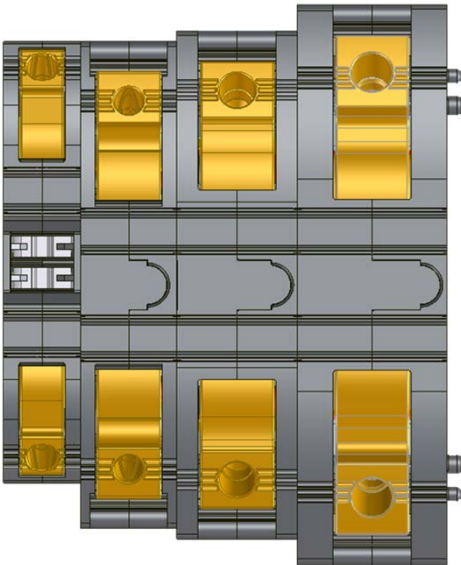
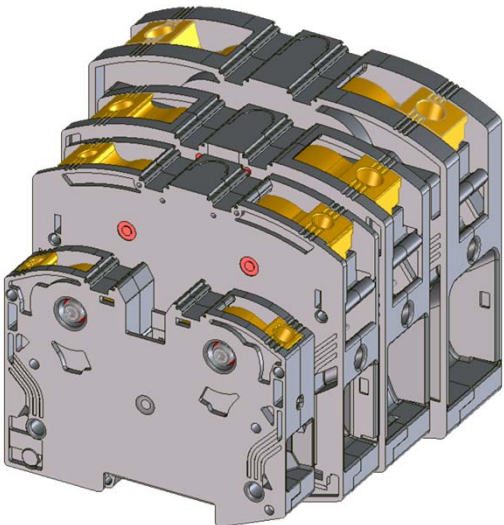
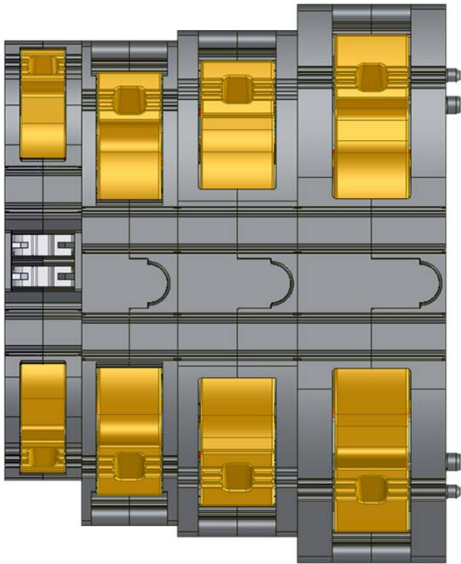
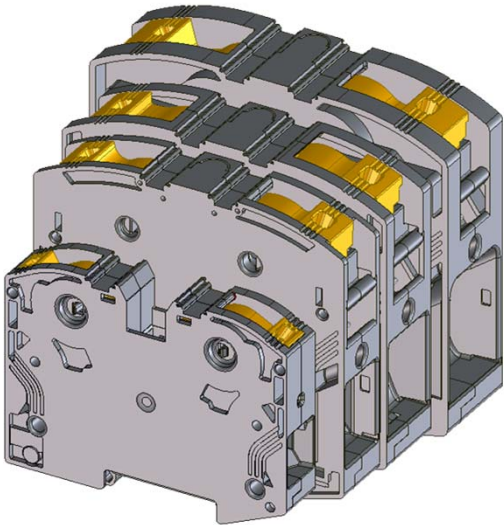


CBE190169 - PTPOWER 35

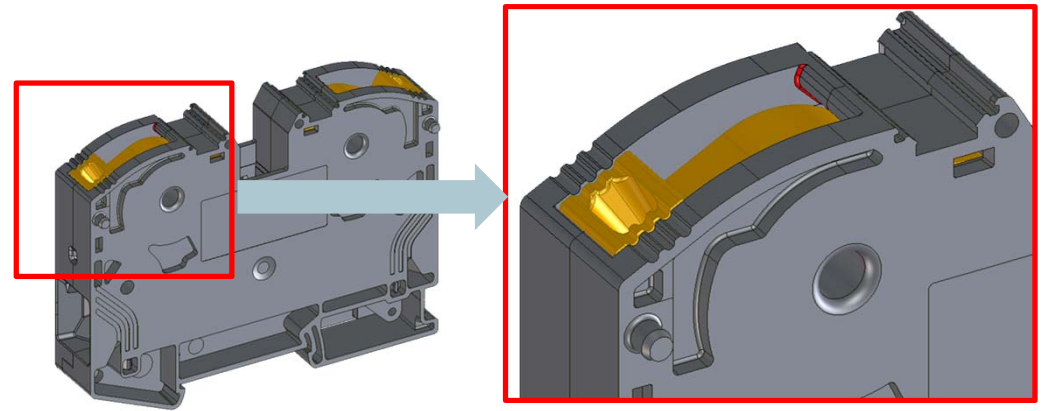
PTPOWER 35



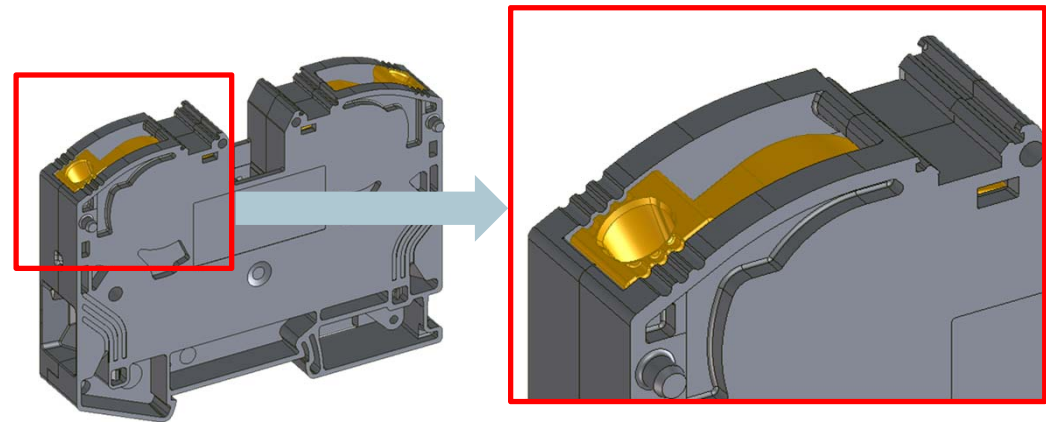
CBE190169 - PTPOWER 35

PTPOWER 35

- Old Design of Lever
 - Only the SZF 3 – 1206612 was approved für operation



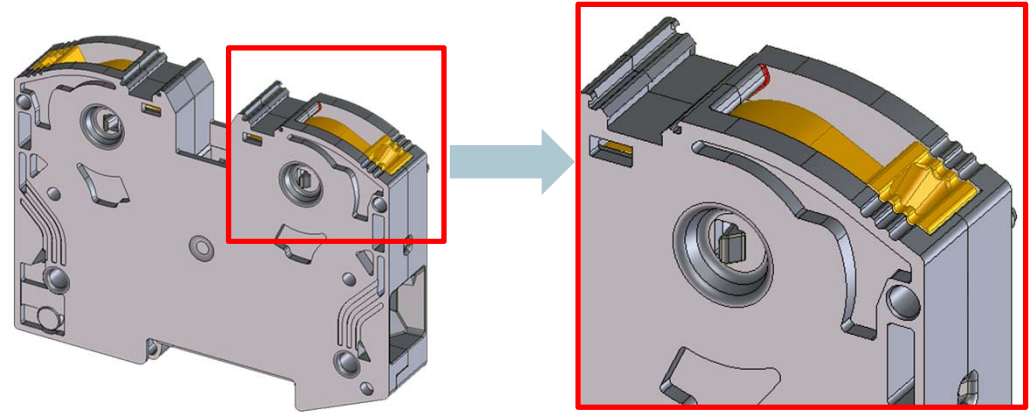
- New Design of Lever
 - The lever is now approved for the operation of:
 - SZF 3 – 1206612
 - SZS 0,8x4,0 VDE – 1212508
 - SF-SL 0,8x4,0 – 100 S-VDE – 1212588
 - SF-PH 1-80 S-VDE - 1212693



CBE190169 - PTPower 35

PTPOWER 35

- Old Design of Housing
 - Snap connection of both housings halves



- New Design of Housing
 - The connection is now realized with a screw to create increased stability.

