

Document Receipt Acknowledgement
Date:
Section:
Name:



Document Number: D03871-A
PD Ref.: DM-SA20-002
Date: Oct. 1, 2020

Attention:

valued customer

Product Withdrawal Notice

Rotary Position Sensor SV** Series

Dear. Valued Customer

Thank you very much for your great and continued support for business with Murata. This is the official notification that some of our products will be discontinued as detailed below. Please review this, and approve in writing by Approval Due Date. Also, please place Last Time Buy Order by the Last Time Order Due Date as needed. Your understanding and support are highly appreciated.

1. Product Type, Customer/Murata/Alternative Part Numbers:

Product Type: Rotary Position Sensor SV** Series

It includes all Rotary Position Sensors (SV***).

Please refer to the attached documents for detailed Part Numbers' information.

2. Reasons/Background:

Demand decreased due to the rise of alternative technology of mechanical position detection method using SV series product.

Because production scale reduced with demand decrease, business maintenance became difficult.

3. Approval Due: Sep., 30, 2021

Please review this, and reply to Sales for this Notice in writing by Due Date.

In case we do not get any contacts by the Due Date, we will assume that this Notice with all its contents has been accepted.

4. Product Withdrawal Schedule:

Last Time Order Due (*): Mar., 31, 2022

Last Shipment Date: Sep., 30, 2022

- * : Last Time Order is the subject to Minimum Order Quantity and Package Quantity.
Order Cancel and Product Return can be accepted only in the case of quality issue.
Please place Last Time Buy Order by the Last Time Order Due Date as needed.
We cannot receive any orders after Last Time Order Due.

5. Contact Window:

Should you have any questions or concerns, please contact Murata Sales, Representative, or Distributor in your area.

Truly Yours. Thank you.

Murata Manufacturing, Co., Ltd.
Business Planning Dept.
General Manager, Yoshitaka Nagao



Confirmation Letter

valued customer

Murata Manufacturing, Co., Ltd.

Product Withdrawal Confirmation

Product Type: Rotary Position Sensor SV** Series

It includes all Rotary Position Sensors (SV***).

Last Time Order Due: Mar., 31, 2022

Last Shipment Date: Sep., 30, 2022

Product Withdrawal detailed below is

accepted, and we will not place Last Time Order.

accepted, and we will place Last Time Order as below.

Last Time Order Schedule:

Last Shipment Schedule:

Comments, Questions, etc.


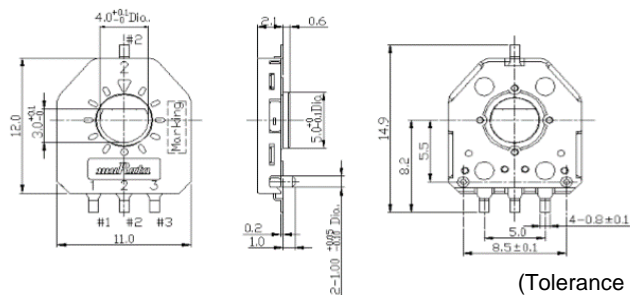
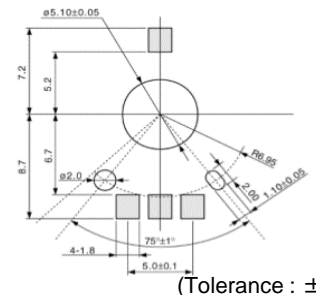
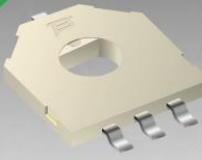
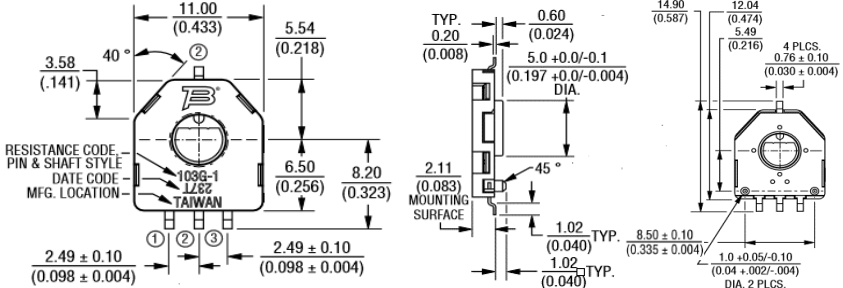
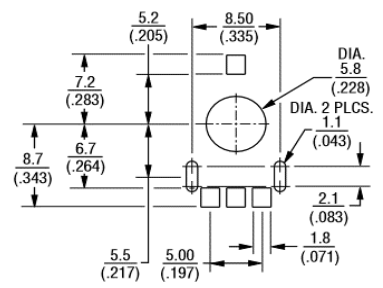
Signature

Date: (MM, DD, YYYY)

Title:

Name:

Comparison Table / SV01,03 series VS BOURNS 3382 series

	Appearance	Dimensions (Unit : mm)	Land Pattern (Unit : mm)	URL
Current	 <p>SV01/03 series MURATA</p>	 <p>(Tolerance : ±0.1)</p>	 <p>(Tolerance : ±0.1)</p>	https://www.murata.com/en-us/products/sensor/guide/sensorguide/sv03?intcid5=com_XXX_XXX_cmh_hd_XXX
Replacement	 <p>3382 series BOURNS®</p>			https://www.bourns.com/pdfs/3382.pdf

	MURATA P/N	Stator color(Current) Marking	Standard total resistance range	Standard total resistance range	Linearity	Electrical rotational angle	Operating Temperature Range
	BOURNS P/N						
Current	SV01A103AEA01R00 SV03A103AEA01R00	Black	10000(ohm)	±30(%)	±2(%)	Ref. : 333.3°	-40 ~ +125 degC
Replacement	3382G-1-103G	White				330 ° nom.	-40 ~ +120 degC