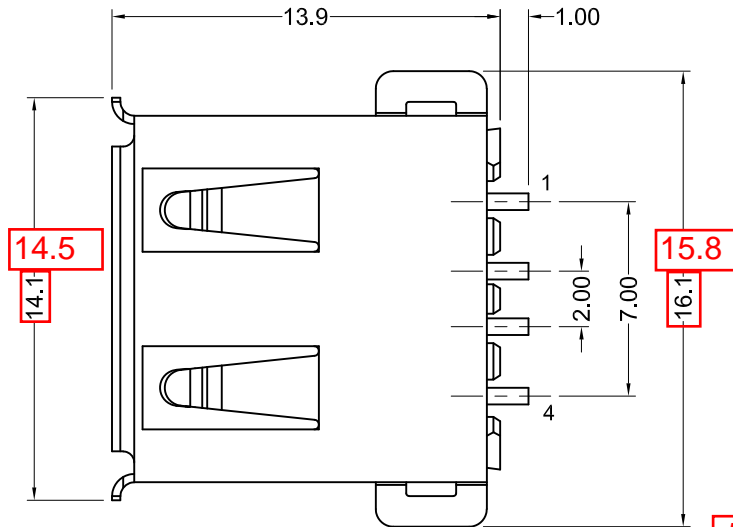
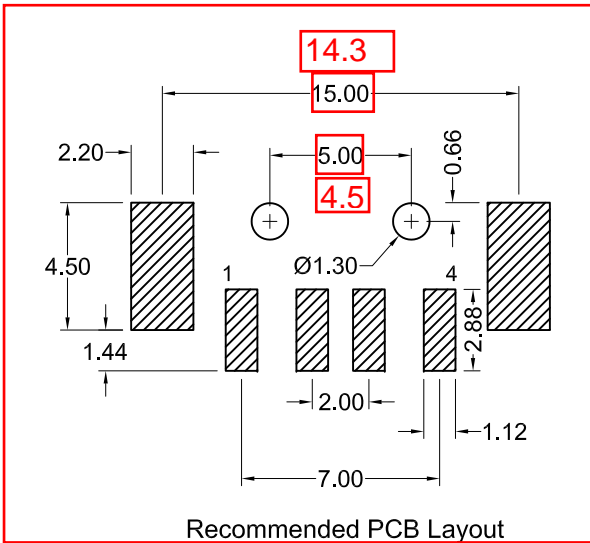


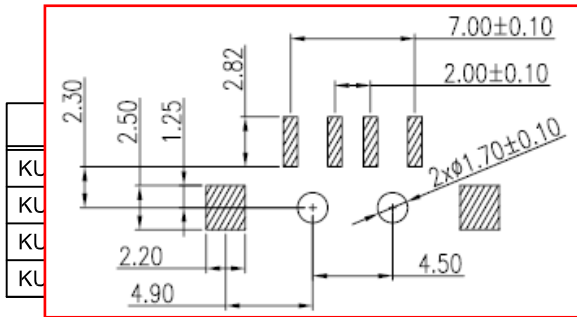
Material and Finish

Insulator: High Temp.
 UL94V-0-Rated
 Contact: Phosphor Bronze
 Contact Plating Options:
 Standard: Gold flash on contact area, tin on soldertails, all over nickel underplate
 30 Option: 30u" Gold on contact area, tin on soldertails, all over nickel underplate
 Shell: Brass, Nickel Plated



Electrical Specifications

Contact Current Rating:
1.5 **1.0A** AC/DC
 Voltage Rating:
 30V AC/DC
 Contact Resistance:
30 **20** milliohms max.
 Insulation Resistance:
 1000 Megohms min.
 Dielectric Withstanding Voltage:
500 **750V** AC for 1 Min.
 Operating Temperature:
-55 to 85 **-40°C to +105°C**



h	Insulator Color	Packaging
	White	Tape & Reel (TR option)
	Black	Tape & Reel (TR option)

Tolerances
X.X ± 0.25
X.XX ± 0.15
Unless Stated Otherwise

RoHS COMPLIANT

UL E134345

US LR78160

REV.	DATE	DESCRIPTION	REV. BY	CHK. BY	DRAWN BY	DATE
B2	11/05/09	Add Part Number	S. Vien	H. MA	R. Aguirre	02/05/08
B3	1/05/10	Release Drawing	H. MA	N/A		
C1	03/12/10	ECO #10-013	S. Vien	H. MA	UNITS	mm
C2	08/04/11	ECO #11-052	S. Vien	P. DalCanto		
C3	05/08/13	ECO #13-020	W. Cook	P. DalCanto		
C4	08/09/18	Update Address & RoHS	C. Kelleher	C. Furumasu		

KUSBEX-SMT2-AS1N-x

USB A-Type, SMT, RoHS Compliant

Locating Post with SMT Shield Type

