

Product change information

PCN-No.:	ABG170021	Date:	11.07.2018
----------	-----------	-------	------------

Order-No.	Designation
3022276	CLIPFIX 35-5
3032350	CLIPFIX 35-5 V0

Description of change

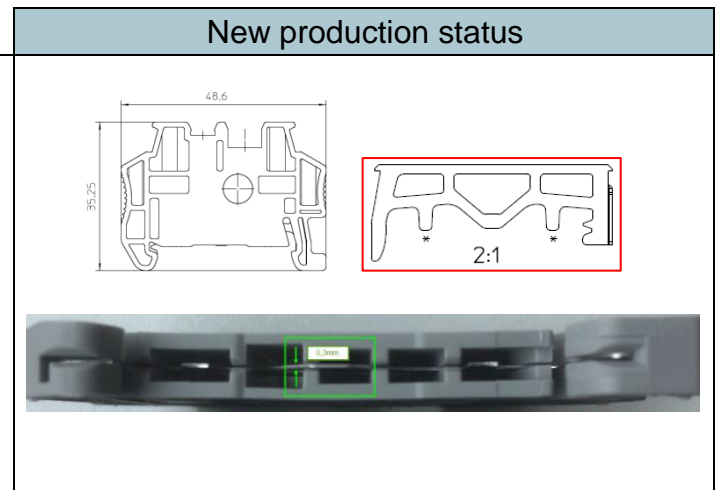
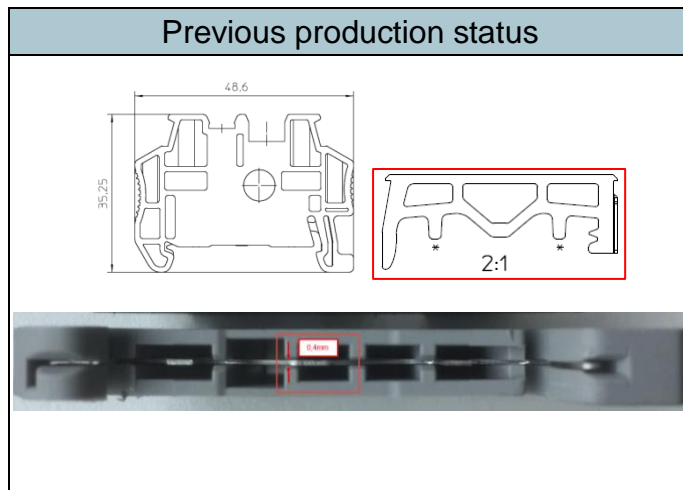
- Product appearance (fit)
 Product geometry (form)
 Product function (function)

Change of the metal part in the snap-on foot to improve mounting and removal

Modification includes the following changes:

Reduction of the thickness of the metal part from 0,4 mm down to 0,3 mm. Due to this change the end bracket can be mounted and removed more comfortable. A proper fixation on the DIN-rail is still given.

CLIPFIX 35-5 - 3022276 will be changed from July 2018 due to improved handling.



Expected initial delivery of changed CLIPFIX 35-5 – 3022276
 Expected initial delivery of changed CLIPFIX 35-5 V0 – 3032350

As of now
 week 09/2019