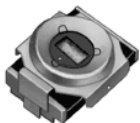
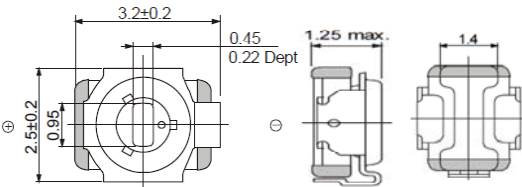
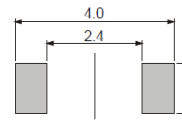


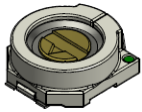
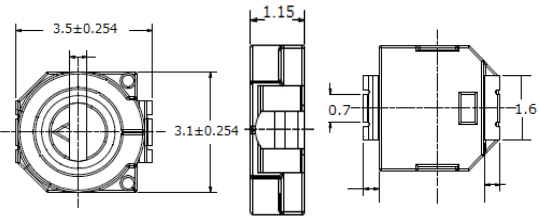
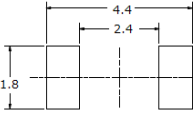


Comparison Table / TZY2 series VS VOLTRONICS

	Series Name	Appearance	Dimensions (Unit : mm)	Land Pattern (Unit : mm)	URL
Current	TZY2 series MURATA		 (Tolerance : ±0.1)	 (Tolerance : ±0.1)	http://www.murata.com/ja-jp/products/capacitor/trimmer/tzy2
Replacement	JR series  		 (Tolerance : ±0.15)	 (Tolerance : ±0.15)	http://www.knowlescapacitors.com/Products/Trimmer/Half-Turn/JR-Series.aspx

	MURATA P/N	Capacitance (pF)		Temp. Characteristics (ppm/°C)	Q at 1MHz (min.)	Rated voltage	Withstanding Voltage
	VOLTRONICS P/N	Min.(+0%)	Max.(+100/-0%)				
Current	TZY2Z010AC01	0,6	1	NP0±300	200	25Vdc	55Vdc
Replacement		Nonexistent					
Current	TZY2Z2R5AC01	1,0	2,5	NP0±300	200	25Vdc	55Vdc
Replacement	JR030	1,5	3	NP0±200	500	100Vdc	220Vdc
Current	TZY2Z030AC01	1,5	3	NP0±300	300	25Vdc	55Vdc
Replacement	JR030			NP0±200	500	100Vdc	220Vdc
Current	TZY2Z060AC01	2,5	6	NP0±300	500	25Vdc	55Vdc
Replacement	JR060	2,0		NP0±300		100Vdc	220Vdc
Current	TZY2Z100AC01	3,0	10	NP0±300	500	25Vdc	55Vdc
Replacement	JRL100	4,0		N1200±500		250Vdc	550Vdc
	JR100	2,0		NP0±300		100Vdc	220Vdc
Current	TZY2R200AC01	4,5	20	N750±500	500	25Vdc	55Vdc
Replacement	JRL200	7		N1200±500	300	250Vdc	550Vdc
	JR200	4,5		N750±500	500	100Vdc	220Vdc
Current	TZY2R250AC01	5,5	25	N750±500	300	25Vdc	55Vdc
Replacement	JRL250			N1200±500	300	250Vdc	550Vdc
Current	TZY2K450AC01	8,0	45	N1000±500	300	25Vdc	55Vdc
Replacement	JR400		40	N1500±1000	200	100Vdc	220Vdc