
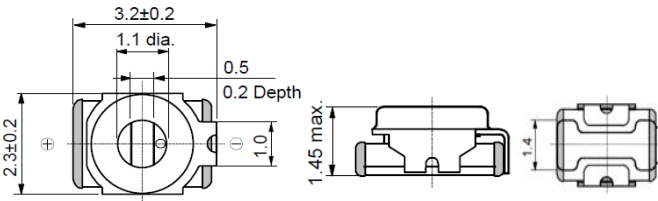
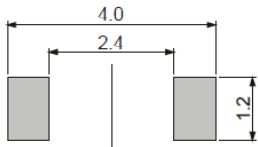


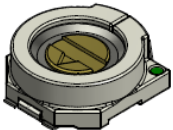
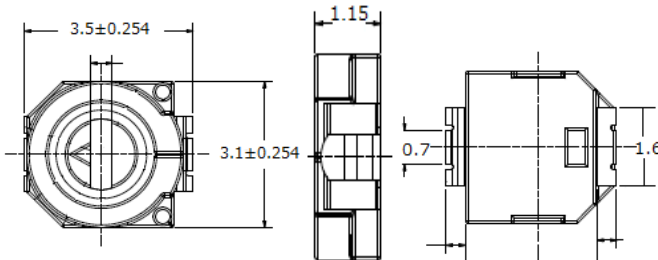
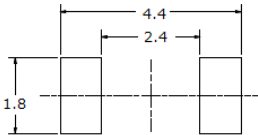


Comparison Table / TZV2 series VS VOLTRONICS

	Series Name	Appearance	Dimensions (Unit : mm)	Land Pattern (Unit : mm)	URL
Current	TZV2 series MURATA		 (Tolerance : ±0.1)	 (Tolerance : ±0.1)	Nonexistent
Replacement	JR series  		 (Tolerance : ±0.15)	 (Tolerance : ±0.15)	http://www.knowlesc.com/Products/Trimmer/Half-Turn/JR-Series.aspx

	MURATA P/N	Capacitance (pF)		Temp. Characteristics (ppm/°C)	Q at 1MHz (min.)	Rated voltage	Withstanding Voltage
	VOLTRONICS P/N	Min.(+0%)	Max.(+100/-0%)				
Current	TZV2Z2R5A110	0,65	2,5	NP0±300	200 at 200MHz	25Vdc	55Vdc
Replacement	JR030	1,5	3	NP0±200	500	100Vdc	220Vdc
Current	TZV2Z030A110	1,5	3	NP0±300	300	25Vdc	55Vdc
Replacement	JR030			NP0±200	500	100Vdc	220Vdc
Current	TZV2Z060A110	2,5	6	NP0±300	500	25Vdc	55Vdc
Replacement	JR060	3,0				100Vdc	220Vdc
Current	TZV2Z100A110	3,0	10	NP0±300	500	25Vdc	55Vdc
Replacement	JR100	2,0				100Vdc	220Vdc
	JRL100	4,0				100Vdc	220Vdc
Current	TZV2R200A110	4,5	20	N750±500	500	25Vdc	55Vdc
Replacement	JR200			NP0±500	200	100Vdc	220Vdc
	JRL200			7	N1200±500	300	250Vdc