
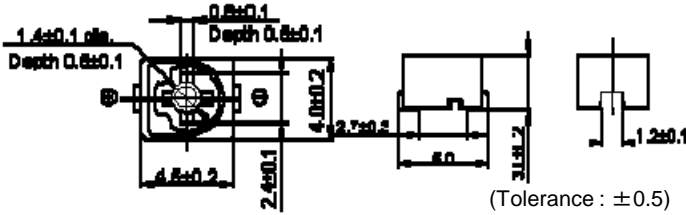
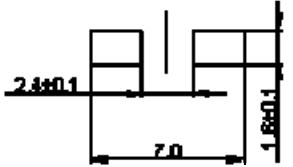



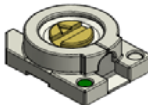
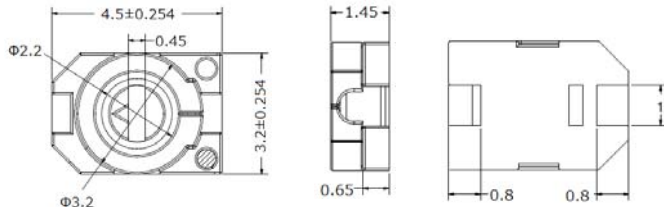
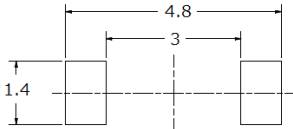


Comparison Table / TZB4_A series VS VOLTRONICS



	Series Name	Appearance	Dimensions (Unit:mm)	Land Pattern(Unit : mm)	URL
Current	TZB4 ****A series MURATA		 (Tolerance : ±0.5)	 (Tolerance : ±0.5)	http://www.murata.com/ja-ip/products/capacitor/trimmer/tzb4
Replacement	<div style="text-align: center;">  JZ series   </div>				http://www.knowlescapacitors.com/Products/Trimmer/Half-Turn/JZ-Series.aspx

	MURATA P/N	Stator color	Capacitance (pF)		Temp. Characteristics (ppm/°C)	Q at 1MHz (min.)	Rated voltage	Withstanding Voltage
	VOLTRONICS P/N		Min.(+0%)	Max.(+50/-0%)				
Current	TZB4Z030A	Brown	1,4	3	NP0±200	300	100Vdc	220Vdc
Replacement	JZ030	Black	1,5					
Current	TZB4Z060A	Blue	2,0	6	NP0±300	500		
Replacement	JZ060							
Current	TZB4Z100A	White	3,0	10	NP0±300	500	250Vdc	550Vdc
Replacement	JZL100	Gray	4,0					
Replacement	JZ100	White	2,0					
Current	TZB4R200A	Red	4,5	20	N750±400	300	100Vdc	220Vdc
Replacement	JZL200		7,0					
Replacement	JZ200		4,5					
Current	TZB4P300A	Green	6,5	30	N1200±500	300	100Vdc	220Vdc
Replacement	JZ300	Orange	5,5					
Current	TZB4P400A	Yellow	8,5					
Replacement	JZ400		8,0					
Current	TZB4Z250A	Black+Marking	4,0	25(+100/-0%)	NP0±300	300	50Vdc	110Vdc
Replacement	JZL250	-	6,0	25	N1200±500	300	250Vdc	550Vdc
Current	TZB4R500A	Black+Marking	7,0	50(+100/-0%)	N750±300	300	50Vdc	110Vdc
Replacement	JZ500	Yellow	8,0	50	N1500±1000	200	100Vdc	220Vdc