

Product change information (PCN)

PCN No.	AAB1500902	Date	19.01.2018
Product	BS series		

Order No.	Order designation
1406397	SACC-CI-M12MST-4CON-L180 THR SH
1417241	SACC-CI-M12MST-4-L180 THR SH/SA
1421313	SACC-CI-M12MST-4CON-L180 THR SH SP
1420413	SACC-CI-M12MST-4CON-L180THR SH SP
1418341	SACC-CI-M12MST-4CON-L180 TOR SH
1406412	SACC-CI-M12FST-4CON-L180 THR SH
1421316	SACC-CI-M12FST-4CON-L180 THR SH SP
1418342	SACC-CI-M12FST-4CON-L180 TOR SH
1552214	SACC-CI-M12MSD-4CON-L180 THR
1552175	SACC-DSIV-MSD-4CON-L180 SCOTHR
1616036	BS-04P2DH2M5BM
1457513	SACC-CI-M12MSD- 4CON-SH TOR 32
1413550	SACC-CIM12MSD4PL180THRSAMPLE
1439939	SACC-CI-M12MS-4CON-L180 THR SH
1439984	SACC-DSIV-MS-4CON-L180SCOTHRSH
1409149	SACC-CI-M12MS-4CON-L180THRSHPD
1457500	SACC-CI-M12MS- 4CON-SH TOR 32
1413549	SACC-CIM12MS4PL180THRSHSAMPLE
1416091	SACC-CI-M12MS-4CON-SH TOR32SIE
1405276	BS-04S2DB2000V
1551451	SACC-CI-M12FSD-4CON-L180-THR
1542648	SACC-DSIV-FSD-4CON-L180 SCOTHR
1557552	SACC-DSIV-FSD-4CON-L180 THR WM
1616037	BS-04S2DH2M4BM
1409148	SACC-CI-M12FSD-4CON-L180-THRPD
1457636	SACC-CI-M12FSD-4CON-SH TOR 32
1413557	SACC-CIM12FSD4PL180THRSAMPLE
1416098	SACC-CI-M12FSD-4CON-SHTOR32SIE
1439955	SACC-CI-M12FS-4CON-L180 SH THR
1440009	SACC-DSIV-FS-4CON-L180SCOTHRSH
1409144	SACC-CI-M12FS-4CON-L180SHTHRPD
1457623	SACC-CI-M12FS-4CON-SH TOR 32
1413556	SACC-CIM12FS4PL180SHTHRSAMPLE
1405279	BS-05P2NC2000V
1432350	SACC-CI-M12MS-5CON-L180-THR SH
1417237	SACC-CI-M12MS-5-L180-THR SH/SA
1417237	SACC-CI-M12MS-5-L180-THR SH/SA
1439968	SACC-DSIV-MS-5CON-L180SCOTHRSH
1409151	SACC-CI-M12MS-5CON-L180THRSHPD
1457539	SACC-CI-M12MS- 5CON-SH TOR 32

Order No.	Order designation
1413551	SACC-CIM12MS5PL180THRSHSAMPLE
1552230	SACC-CI-M12MSB-5CON-L180 THR
1552188	SACC-DSIV-MSB-5CON-L180 SCO THR
1409152	SACC-CI-M12MSB-5CON-L180-THRPD
1457542	SACC-CI-M12MSB- 5CON-SH TOR 32
1413552	SACC-CIM12MSB5PL180THRSAMPLE
1416097	SACC-CI-M12MSB-5CON-SHTOR32SIE
1432363	SACC-CI-M12FS-5CON-L180-THR SH
1434879	SACC-DSIV-FS-5CON-L180SCOTHRSH
1409145	SACC-CI-M12FS-5CON-L180THRSHPD
1457652	SACC-CI-M12FS-5CON-SH TOR 32
1413558	SACC-CIM12FS5PL180THRSHSAMPLE
1416099	SACC-CI-M12FS-5CON-SH TOR32SIE
1551435	SACC-CI-M12FSB-5CON-L180-THR
1417231	SACC-CI-M12FSB-5-L180-THR/SAMP
1542635	SACC-DSIV-FSB-5CON-L180 SCOTHR
1409146	SACC-CI-M12FSB-5CON-L180-THRPD
1457665	SACC-CI-M12FSB-5CON-SH TOR 32
1413559	SACC-CIM12FSB5PL180THRSAMPLE
1557581	SACC-CI-M12MS-8CON-L180-THR SH
1557578	SACC-DSIV-MS-8CON-L180-THR SH
1457568	SACC-CI-M12MS- 8CON-SH TOR 32
1413553	SACC-CIM12MS8PL180THRSHSAMPLE
1551422	SACC-CI-M12FS-8CON-L180-THR SH
1557549	SACC-DSIV-FS-8CON-L180-THR SH
1616038	BS-08S2NH2M4BM
1457681	SACC-CI-M12FS-8CON-SH TOR 32
1413561	SACC-CIM12FS8PL180THRSHSAMPLE
1442065	SACC-CI-M12MS-12CON-L180 THRSH
1457584	SACC-CI-M12MS-12CON-SH TOR 32
1413554	SACC-CIM12MS12PL180THRSHSAMPLE
1442052	SACC-CI-M12FS-12CON-L180 THRSH
1457704	SACC-CI-M12FS-12CON-SH TOR 32
1413562	SACC-CIM12FS12PL180THRSHSAMPLE
1442081	SACC-CI-M12MS-17CON-L180 THRSH
1457607	SACC-CI-M12MS-17CON-SH TOR 32
1413555	SACC-CIM12MS17PL180THRSHSAMPLE
1442078	SACC-CI-M12FS-17CON-L180 THRSH
1417229	SACC-CI-M12FS-17-L180/THRSH/SA
1457720	SACC-CI-M12FS-17CON-SH TOR 32
1413563	SACC-CIM12FS17PL180THRSHSAMPLE
1405269	SACC-M12-THR-SET
1412281	SACC-DSIV-M12-SH

Description of changes

Improved shield spring and adapted tape-on-reel packaging

As announced in February and November 2017 already, the shield spring is being optimized for the products mentioned above in order to ensure consistent quality (marked red in the figure).
 For process-related reasons, the planned adaptation of the the packaging tape is no longer required. This means that the change information that was sent out in November 2017 has become irrelevant. The tape width of 32 mm as well as the packaging quantity of 100 pieces will remain unchanged. The height of the tape only will be adapted slightly (see dimensions in the figure).

Previous production status of shield spring

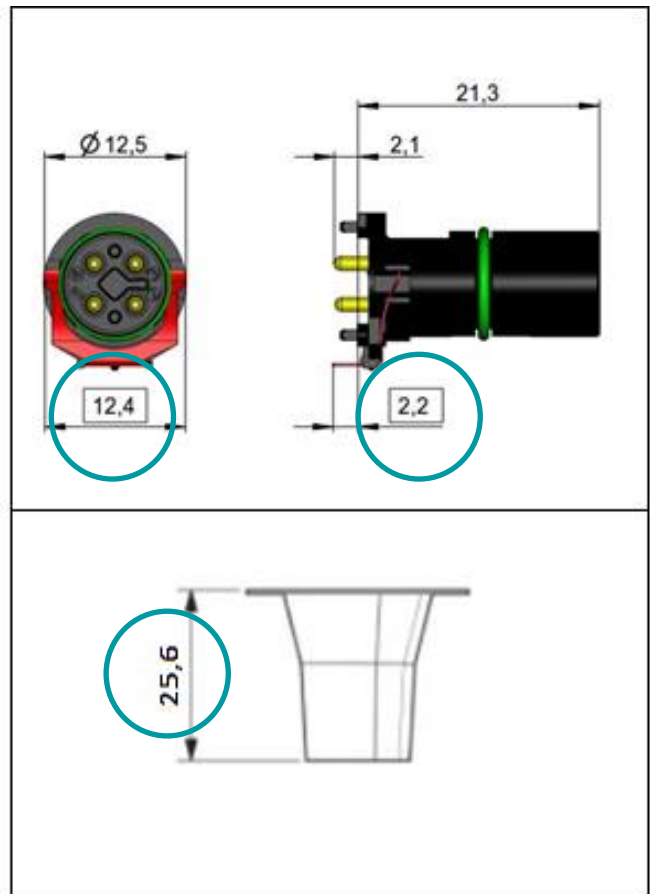
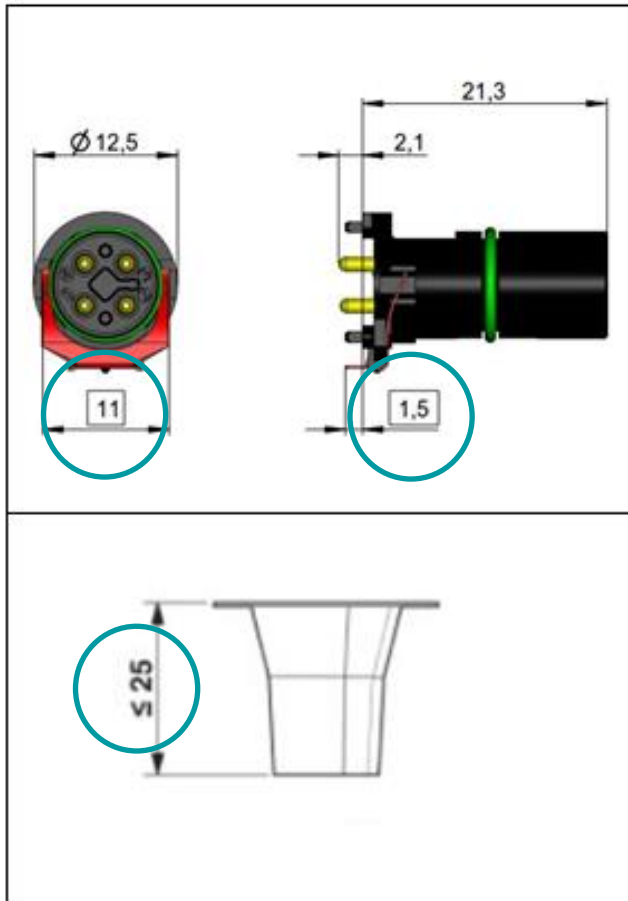


New production status of shield spring



Previous production status of tape-on-reel

New production status of tape-on-reel



General schedule for new version

Initial delivery from

2018-05-01

Product appearance (fit)

Shield spring design adapted, minor changes to tape

Product geometry (form)

Shield spring design adapted, tape-on-reel packaging dimensions adapted: all changed dimensions are marked blue

Product function (function)

Unaffected