

Product discontinuation information

PCN No.:	IBF170015	Date:	29.11.2017
Product:	SAC bus system T-distributor M12, SAC-M12T/2XM12...		

Discontinued product		Replacement product	
Product No.	Description	Product No.	Description
	See attached product list		See attached product list

Description of the discontinuation

The listed M12-T-distributors for bus system applications are hereby discontinued. The replacement products offer a uniform bus-wide design. Furthermore, they have M12-SPEEDCON knurls.

M12-SPEEDCON is a quick-lock technology that is fully compatible with the standard M12 thread. When using a suitable M12-SPEEDCON counterpart, it is possible to lock the plug-in connection with a half-turn of the knurl.

The differences with regard to design and/or dimensions or wiring should be taken from the following figures. The electrical properties and characteristics shall remain unchanged.

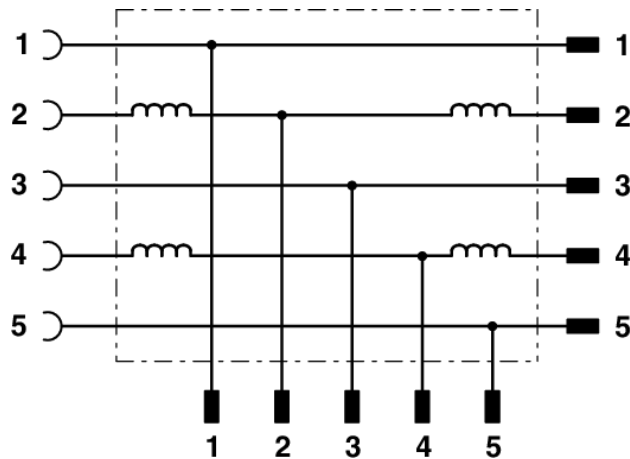
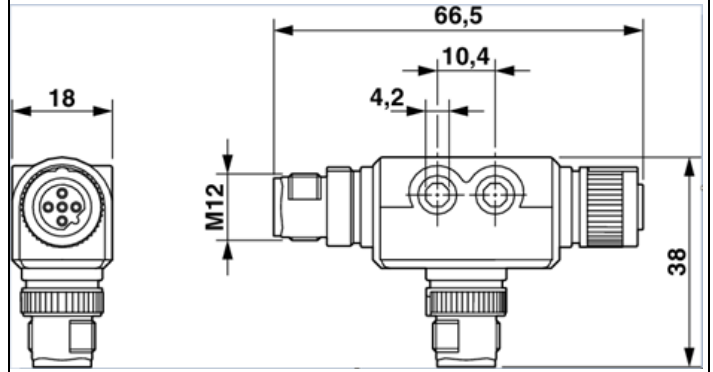
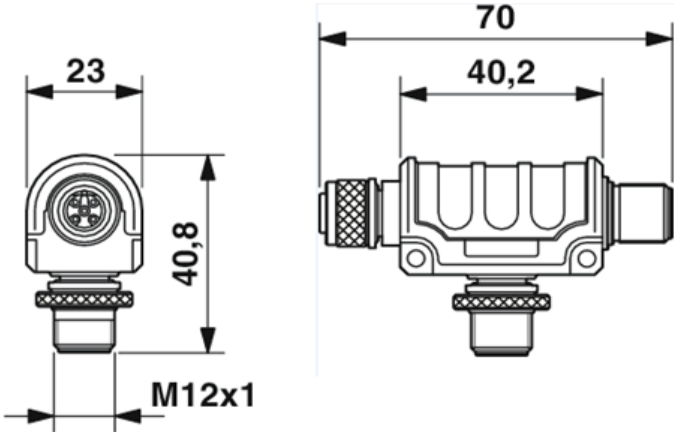
Discontinued product - 1543553

PROFI[®]
BUS



Replacement product - 1424713

PROFI[®]
BUS



Discontinued product - 1458884



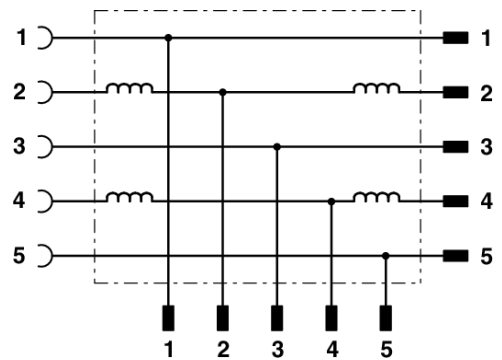
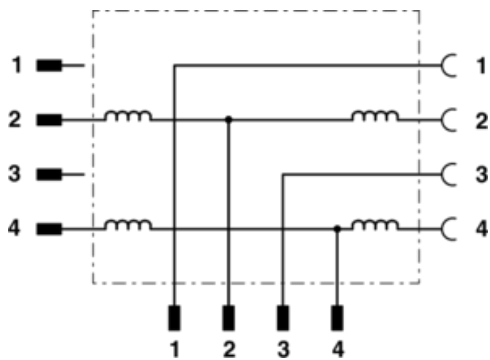
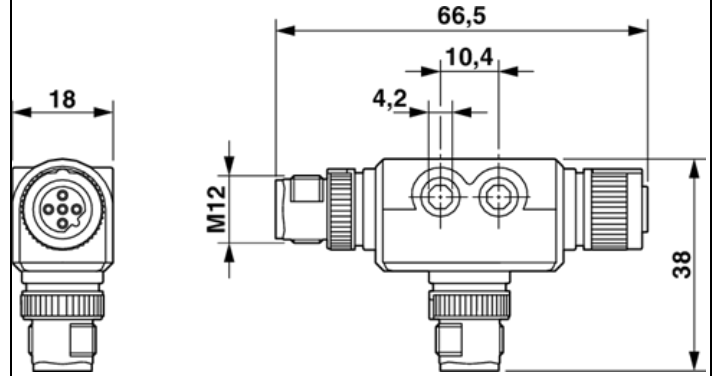
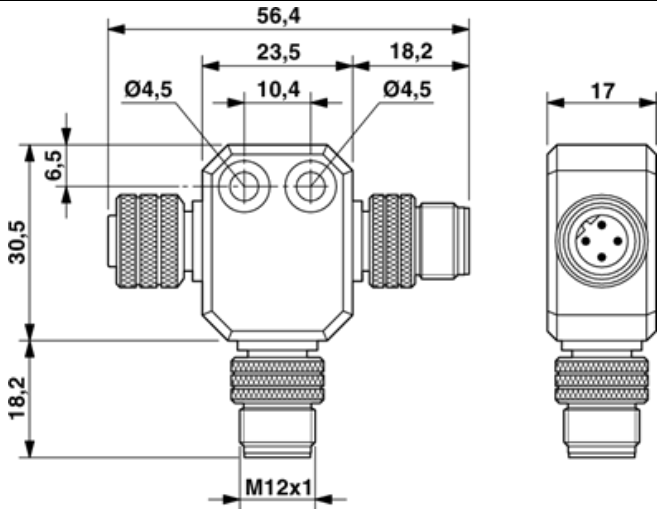
PROFI[®]
BUS



Replacement product - 1424711



PROFI[®]
BUS



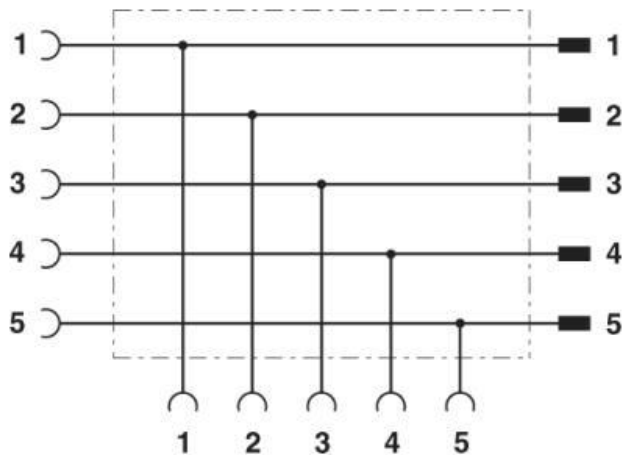
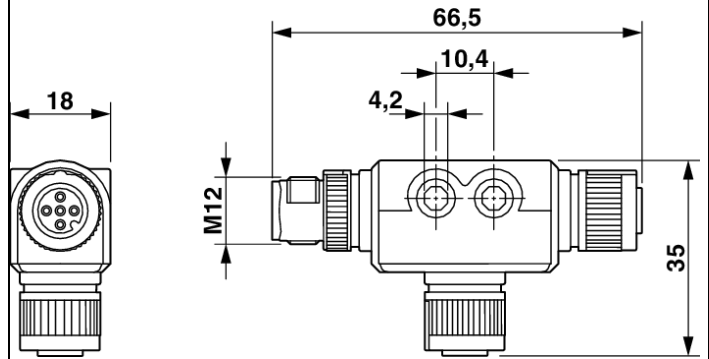
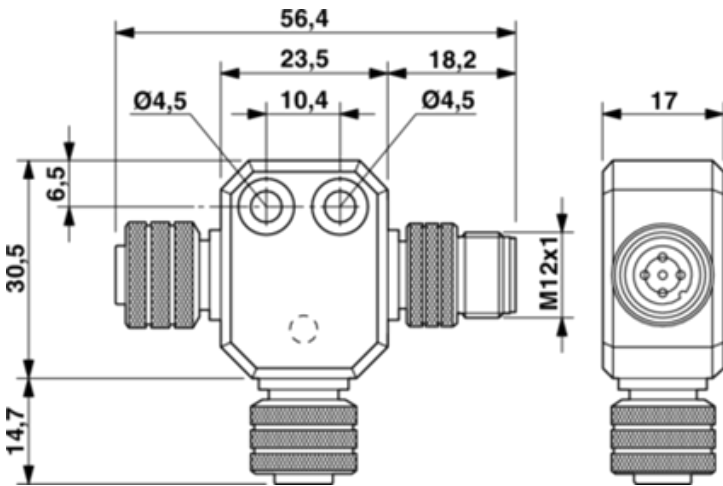
Discontinued product - 1507793

CANopen
DeviceNet



Replacement product - 1424712

CANopen
DeviceNet



Last order by

2018-06-30

Last delivery by

2018-11-30