



520 Park East Blvd., New Albany, IN 47150 U.S.A
(812)-944-6733 / 1-800-SAMTEC9

Product Change Notification

1. ECR #: 155796
Notification #: 286

2. Date of Announcement: July 21, 2017

3. Series:

- FS5 - FS5 SOCKET FLOATING ASSEMBLY

4. Part #'s Affected

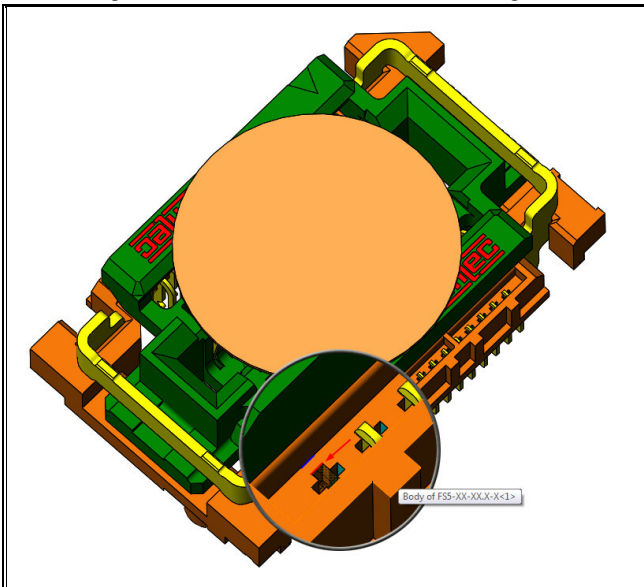
- FS5-XX-04.0

5. Description of Change:

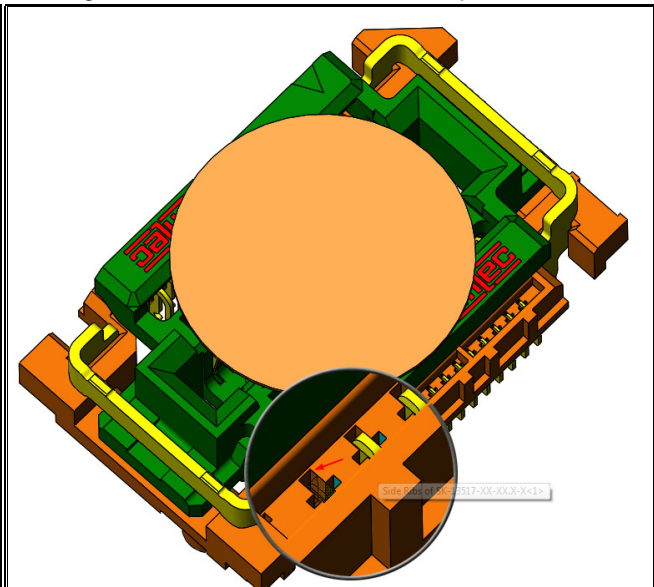
A non functional wall was moved to allow for more clearance between the contact and plastic body.

6. Method of Identifying Change

The change can be identified under 10X magnification by looking for the feature identified in the photos.



Contact hidden for clarity. The surface identified by the edge indicated in this photo was moved closer to the adjacent wall.



Contact hidden for clarity. The location of the wall identified by the edge in its final location.

7. Reason for Change:

The feature was changed to reduce plastic distortion around the contact retention feature.

8. Impact of Change on Form, Fit, or Function:

- Form - The form of the part was changed in a non functional area.

9. Projected Implementation Date: September 15, 2017

Disclaimer

Please review the change notification details listed above for specific information regarding the nature and timing of the change. While Samtec has taken precautions to ensure this change is not detrimental to your application, each application can be unique and therefore customers should consider the effect of the change on their specific application.

Samtec has taken efforts to ensure that all users of this product who have requested change notifications have been informed. However, you should assume that this is the only notification that will be sent and you, as the recipient, must determine how to communicate this information to your organization(s) and customer(s) as appropriate. If you wish to opt out of receiving Samtec Engineering Change Notification emails, please contact CustomerECN@samtec.com. Due to technical progress, specifications are subject to change without notification and it is recommended to provide an alternative contact when opting out.

Please contact Samtec at CustomerECN@samtec.com for any questions related to this change.