



520 Park East Blvd., New Albany, IN 47150 U.S.A
(812)-944-6733 / 1-800-SAMTEC9

Product Change Notification

1. **ECN #:** 293105

2. **Date of Announcement:** February 21, 2017

3. **Series:**

- SEAF - .050 PITCH SOCKET ARRAY ASSEMBLY

4. **Part #'s Affected**

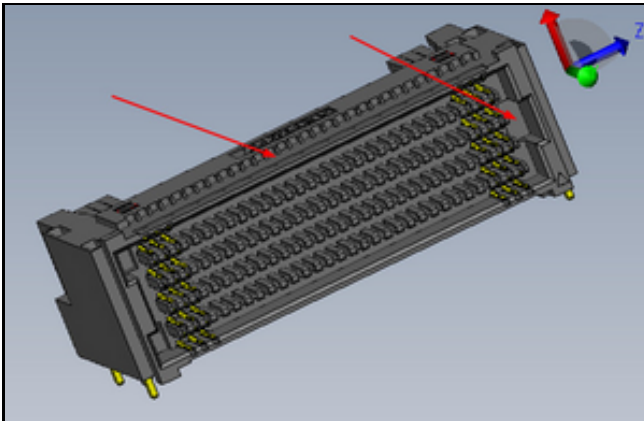
- SEAF-XX-XX-X-XX-X-RA-XX-TR

5. **Description of Change:**

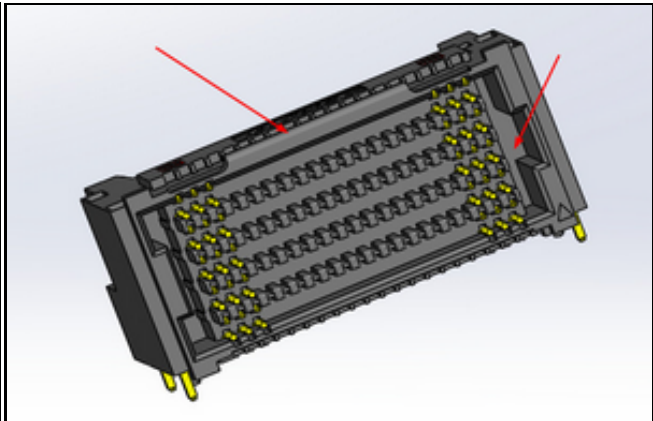
Form change only; a top lip was added and the shroud depth was increased. This will be a rolling change and new revision material will be used once current revision material is depleted. This change has no effect on mating with existing SEAM connectors.

6. **Method of Identifying Change**

On the new product, there is a raised section in the center of the top of the mating face. On the old revision, this area was flat.



Previous Revision Product



New Revision Product

7. **Reason for Change:**

Form change made to allow for development of SEAX with new latching options.

8. **Impact of Change on Form, Fit, or Function:**

- Form - There is an elevated part on the mating face that is coplanar with the top standoffs.

9. **Projected Implementation Date:** March 20, 2017