



520 Park East Blvd., New Albany, IN 47150 U.S.A
(812)-944-6733 / 1-800-SAMTEC9

Product Change Notification

1. ECN #: 292370

2. Date of Announcement: January 31, 2017

3. Series:

- BTH - .5mm DOUBLE ROW TERMINAL ASSEMBLY

4. Part #'s Affected

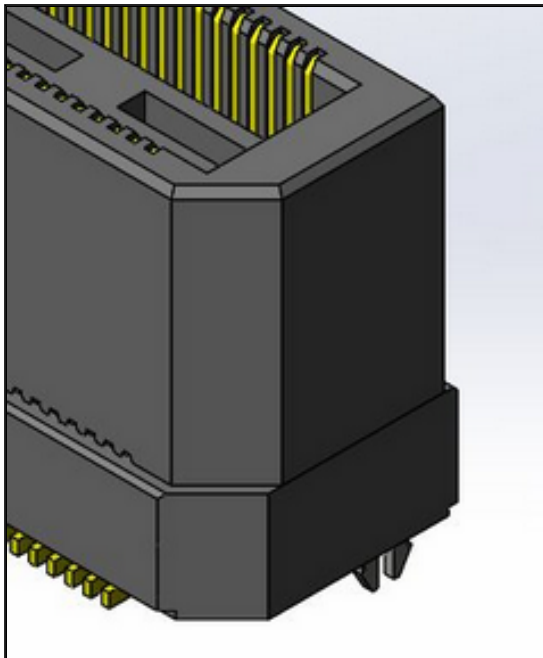
- BTH-XXX-XX-X-D-XX

5. Description of Change:

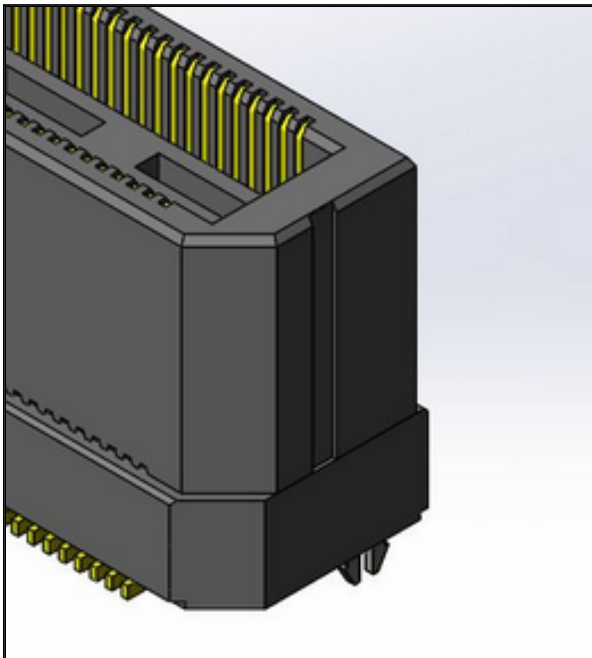
Gate Recess was added to the BTH-XXX-02-D-X Body to enhance manufacturability.

6. Method of Identifying Change

The recess can be seen with the unaided eye.



Prior to change.



After change.

7. Reason for Change:

Gate Recess was added to the BTH-XXX-02-D-X Body to enhance manufacturability. This change can be seen on the BTH-XXX-02-X-D-XX and the top body of the -03 thru -09 lead styles.

8. Impact of Change on Form, Fit, or Function:

- Form - Recess can be seen with the unaided eye.

9. Projected Implementation Date: February 28, 2017