

May 26, 2023

Information Note

Change of marking on IEC inlet filters

To become more independent of suppliers or their manufacturing tools and thus achieve better availability, the marking on the fuse holder of the EPCOS IEC inlet filters of the B8477* series will no longer be specified as a symbol in the data sheet. Consequently, the fuse symbol actually printed on the fuse holder of the filter can vary from the current version or will disappear. This has no effects on specified mechanical and electrical properties of the affected products.

Affected products

Ordering code
B84773A0001A000
B84773A0002A000
B84773A0004A000
B84773A0006A000
B84773A0010A000
B84773M0001A000
B84773M0002A000
B84773M0004A000
B84773M0006A000
B84773M0010A000
B84776A0001A000
B84776A0002A000
B84776A0004A000
B84776A0006A000
B84776A0010A000
B84776M0001A000
B84776M0002A000
B84776M0004A000
B84776M0006A000
B84776M0010A000
B84776M0002A161

Scheduled date of introduction: September 11, 2023

TDK Electronics AG

Rosenheimer Strasse 141 e, 81671 Munich · Post: P.O.Box 80 17 09, 81617 Munich, Germany
Headquarters: Munich · Commercial register of the local court (Amtsgericht): Munich HRB 127250
Chairman of the Supervisory Board: Dr. Werner Faber
Management Board: Dr. Werner Lohwasser, Chairman · Juergen Holzinger · Joachim Thiele
www.tdk-electronics.tdk.com

MAG

EMC

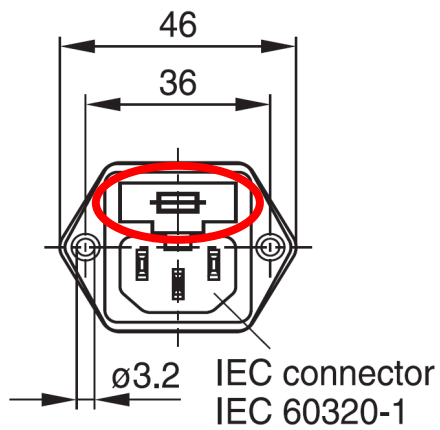
Internal / External

230526MAG1e

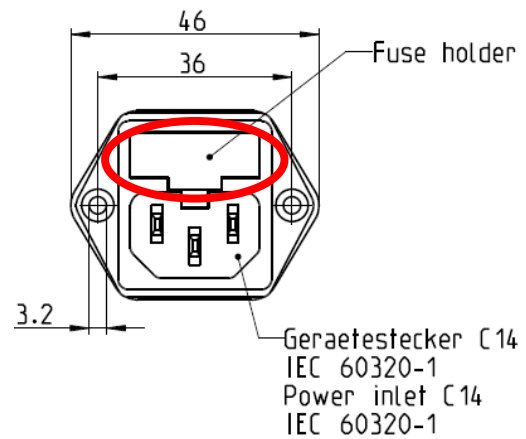
May 26, 2023

Example of new and previous marking

Previous marking



New marking



Enclosure IN (ID No. MAG-809120523)

Contact Muhittin Yildiz, MAG PEMC PM, Munich

Customers are asked to address inquiries directly to their sales contacts.

Information Note

1. ID No. MAG-809120523		2. Date of announcement May 26, 2023	
3. Product / product group EPCOS IEC inlet filter	Old ordering code B8477*	New ordering code no change	Customer part number
4. Description of change Marking will not be specified in the datasheet anymore in order to use standard IEC plugs. Consequently the print sign on IEC plug will change. Technical properties remain the same.			
5. Effect on the product or for the customer (benefit, quality, specification, lead time) The change will improve the supply security of these products. No effects on specified mechanical and electrical properties of affected products.			
6. Quality assurance measures / risk assessment The tests are finished and show good results.			
7. Scheduled date of change September 11, 2023			
8. Estimated date of first delivery of changed product September 11, 2023 <input checked="" type="checkbox"/> For an interim period we cannot rule out that old as well as new products will be shipped. <input type="checkbox"/> Future shipments can consist of old and new products as the new changed product is used as an alternative to the old product.			
Quality Management Name Wolfgang Woitsch		Signature Signed Woitsch	
Product Marketing Name Muhittin Yildiz Tel. +49 89 54020 1601 Email Muhittin.Yildiz@tdk.com		Signature Signed Yildiz	
Customers are asked to address inquiries directly to their sales contacts.			