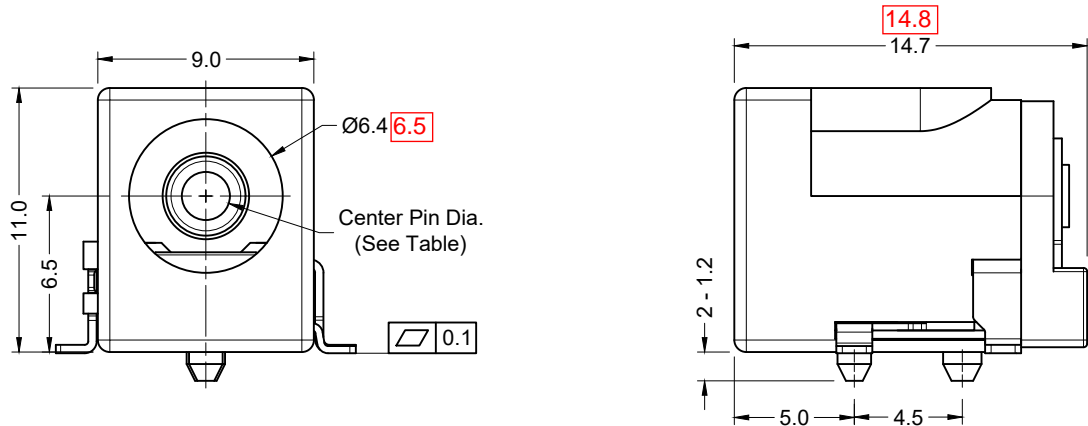


As Compared to KLDX-SMT2-0202-xTR Rev. B5



Materials and Finish

Housing: High Temperature Thermoplastic, UL 94V-0 Rated, Black Color

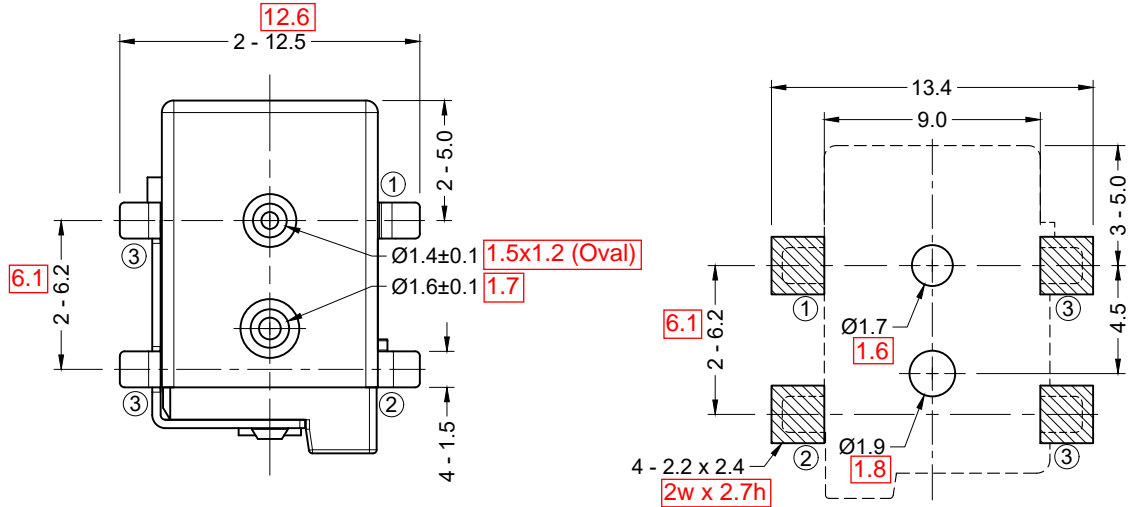
Contact Material:  
 Center Pin: Copper Alloy, Nickel Plated  
 Contact #1: Copper Alloy, Silver Plated  
 Contact #2: Copper Alloy, Silver Plated  
 Contact #3: Copper Alloy, Silver Plated

Electrical Characteristics

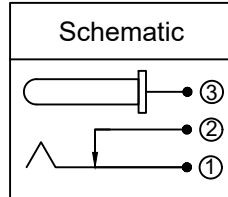
Rated Current: 5A **3.5A**  
 Rated Voltage: 20V DC **24V**  
 Insulation Resistance:  
 100 Megohms Min. at 500V DC  
 Contact Resistance:  
 30 Milliohms Max. (Initial)  
 60 Milliohms Max. (After Durability)  
 Dielectric Withstanding Voltage:  
 500V AC RMS for 1 Minute

Mechanical Characteristics

Insertion Force: 0.3 Kg - 3.0 Kg **2.0**  
 Withdrawal Force: 0.3 Kg - 3.0 Kg  
 Durability: 5000 Mating Cycles Min.  
 Operating Temperature:  
 -25°C to +85°C **+65°C**



Recommended PCB Layout (Top View)



**PRELIMINARY**  
 PART IN DESIGN  
 SPECIFICATION SUBJECT TO CHANGE

Part Number	Center Pin Dia.	
KLDX-SMT2-0202-ATR-1	Ø2.0 <sup>0</sup> <sub>-0.1</sub>	<b>±0.05</b>
KLDX-SMT2-0202-BTR-1	Ø2.5 <sup>+0</sup> <sub>-0.1</sub>	<b>±0.05</b>

**RoHS COMPLIANT**

Tolerances
<b>0.35</b> X.X ± 0.25
<b>0.25</b> X.XX ± 0.20
Unless Stated Otherwise

REV.	DATE	DESCRIPTION	REV. BY	CHK. BY	DRAWN BY	DATE
A0	11/10/22	New Drawing	C. Kelleher	C. Furumasu	C. Kelleher	11/08/22
A0.1	02/01/23	Update Layout	C. Kelleher	C. Furumasu		

**KLDX-SMT2-0202-xTR-1**  
 x = Center Pin Option

DC Power Jack, SMT, R/A,  
 Tape & Reel, RoHS Compliant

