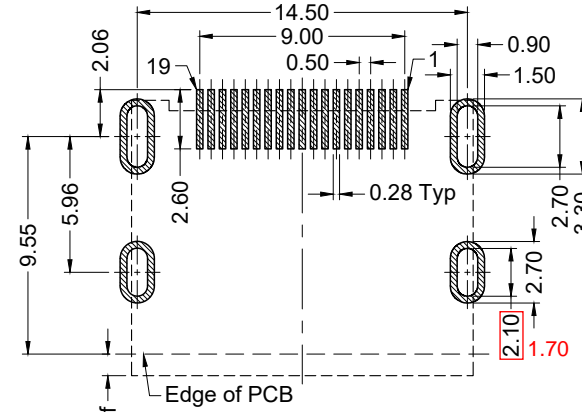
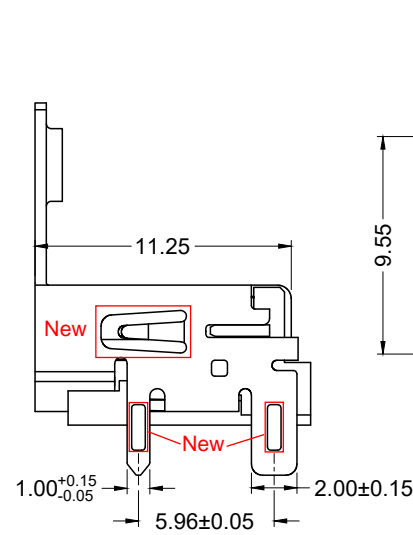
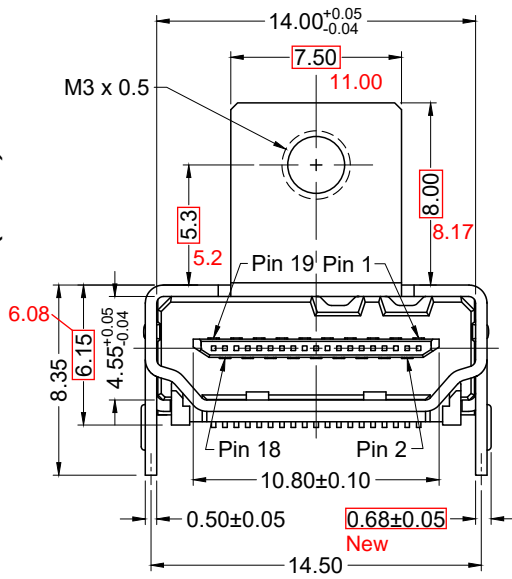
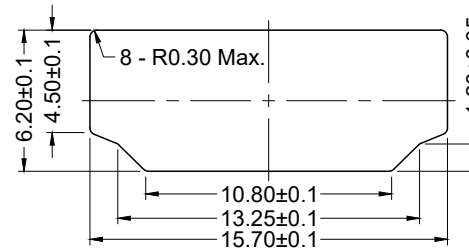
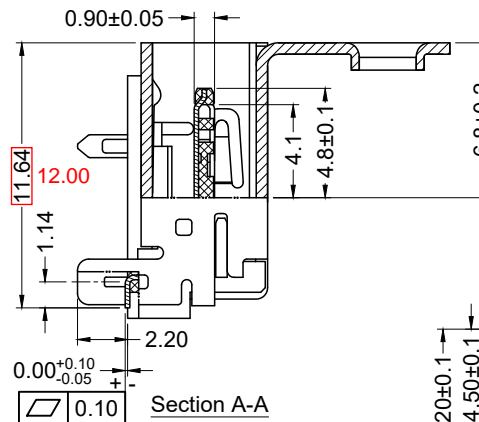
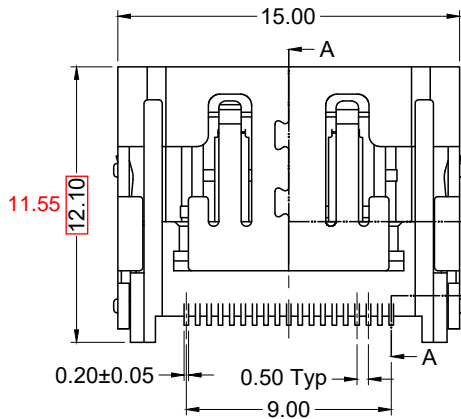
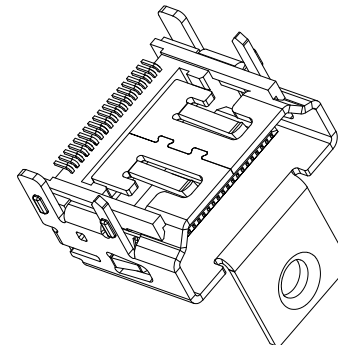


Compared to KDMIX-FS2-WS-B15-MTTR-1



Suggested PCB Layout (Top View)
(T=1.60mm, Tol:±0.05)



Suggested Panel Cut-Out

Materials and Finish

Insulator: High Temp. Thermoplastic
UL94V-0 Rated , Color Black
Contacts: Brass
Plating: 15u" Gold Plating on Contact Area, Matte Tin Plated on Solder Tails, All Over Nickel Underplate
Shell: Brass
Nickel Plated

Electrical Specifications

Operating Voltage:
40 VAC Max.
Contact Current Rating:
0.5A Min.
Contact Resistance:
10 milliohms Max.
Insulation Resistance:
100 Megohms Min.
Dielectric Withstanding Voltage:
500V AC

PRELIMINARY
PART IN DESIGN
SPECIFICATION SUBJECT TO CHANGE

Part Number	Packaging
KDMIX-FS2-WS-B15-1	Tray
KDMIX-FS2-WS-B15TR-1	Tape & Reel

Tolerances
X.X ± 0.35
X.XX ± 0.25
Unless Stated Otherwise

RoHS COMPLIANT

REV.	DATE	DESCRIPTION	REV. BY	CHK. BY	DRAWN BY	DATE
A0.1	08/15/22	New Drawing	C. Kelleher	C. Furumasu	C. Kelleher	08/19/22
A0.2	08/19/22	Add P/N, T&R Option	C. Kelleher	C. Furumasu		
A0.3	08/22/22	Insert-Molded Contacts	C. Kelleher	C. Furumasu		

KDMIX-FS2-WS-B15-1

HDMI(TM), W/5.3mm Flange, SMT, Molded
Contacts, T/H Shield Pegs, 15u", RoHS Compliant

