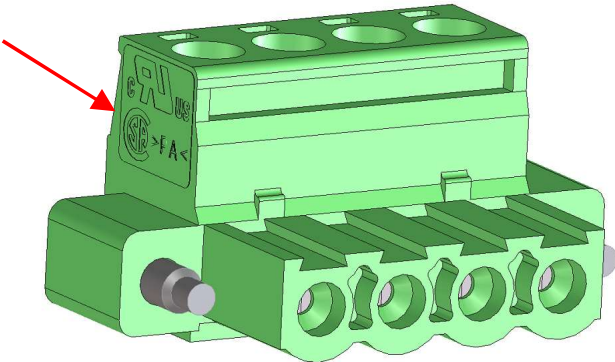
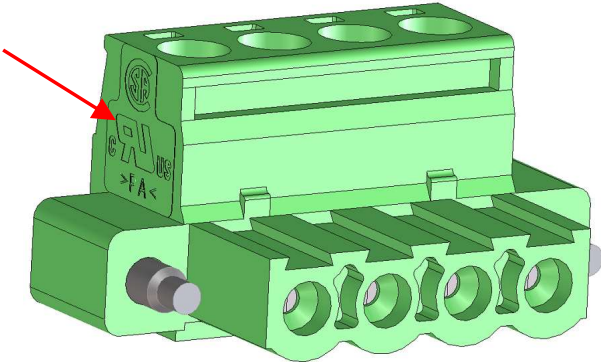


CAA210133 Comparison

old

new

MSTB 2,5/...-STF



MSTB 2,5/...-STF-5,08

