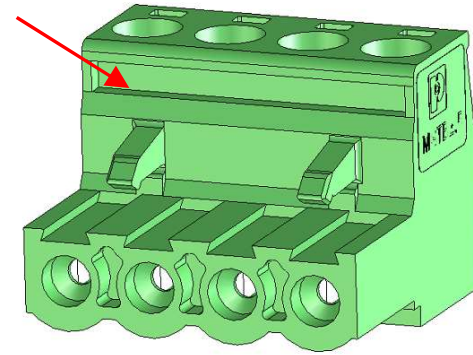
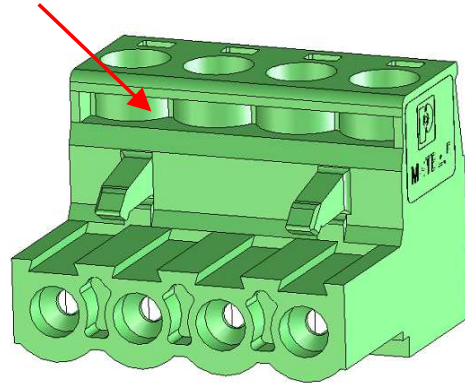


CAA210131 Comparison

old

new

MSTB 2,5/..-ST



MSTB 2,5/..-ST-5,08

