

Product change notification – CBF220023

SACC M12 4/5pol. Shielded connectors for assembly



Product change notification – CBF220023 – SACC M12 4/5pol. Shielded connectors for assembly

General information - housing

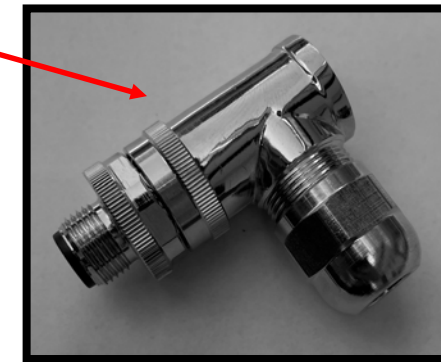
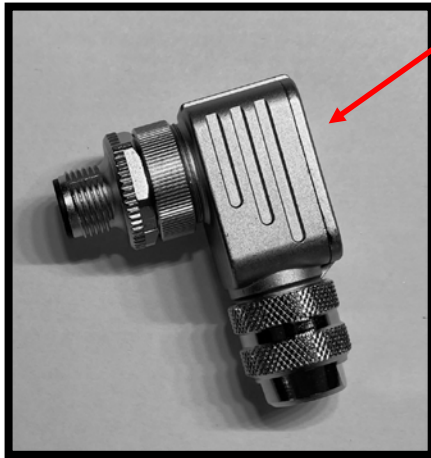
Old:



New:



- Metal housing components change from zinc die-cast to brass



Product change notification – CBF220023 – SACC M12 4/5pol. Shielded connectors for assembly

Stripping length – straight connectors

Old:



- Cable: 35 mm
- Shorten the shielded to 6 mm
- Strip the wire: 4 mm

New:



- Cable: 45 mm
- Shorten the shielded to 9 mm
- Strip the wire: 5 mm

Product change notification – CBF220023 – SACC M12 4/5pol. Shielded connectors for assembly

Stripping length – angled connectors

Old:



- Cable: 40 mm
- Shorten the shielded to 6 mm
- Strip the wire: 4 mm

New:

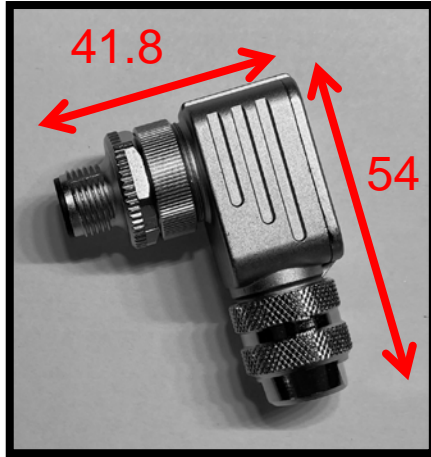


- Cable: 45 mm
- Shorten the shielded to 9 mm
- Strip the wire: 5 mm

Product change notification – CBF220023 – SACC M12 4/5pol. Shielded connectors for assembly

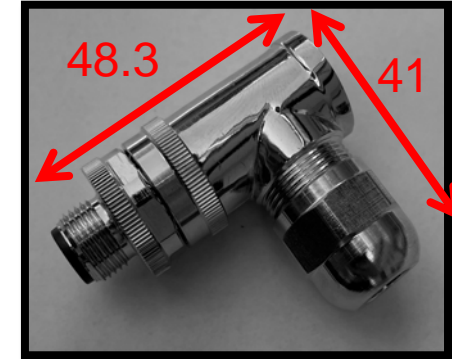
Dimensions –male connectors angled

Old:



*mm

New:



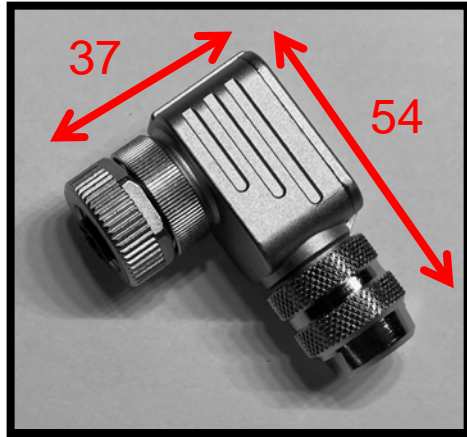
*mm

- **Straight connectors have same dimensions as before**

Product change notification – CBF220023 – SACC M12 4/5pol. Shielded connectors for assembly

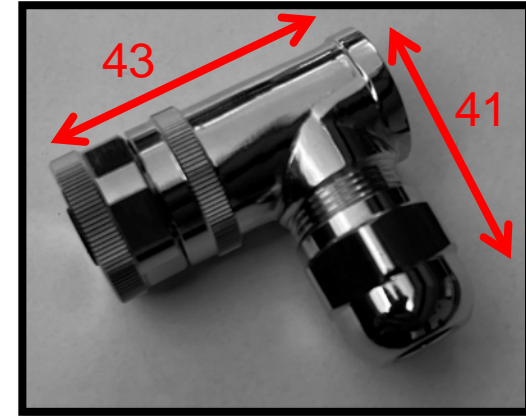
Dimensions – female connectors angled (only angled differs)

Old:



*mm

New:



*mm

- Straight connectors have same dimensions as before

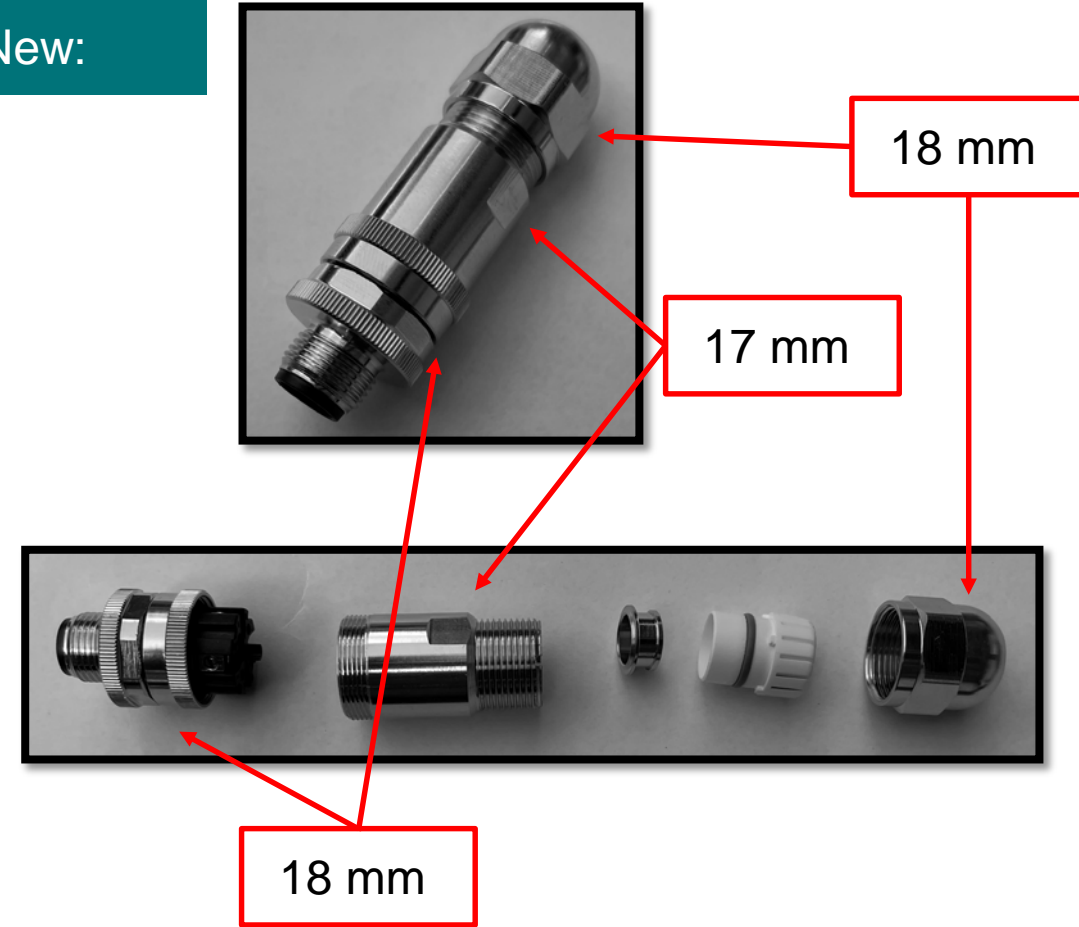
Product change notification – CBF220023 – SACC M12 4/5pol. Shielded connectors for assembly

Width flat – male connectors straight

Old:



New:



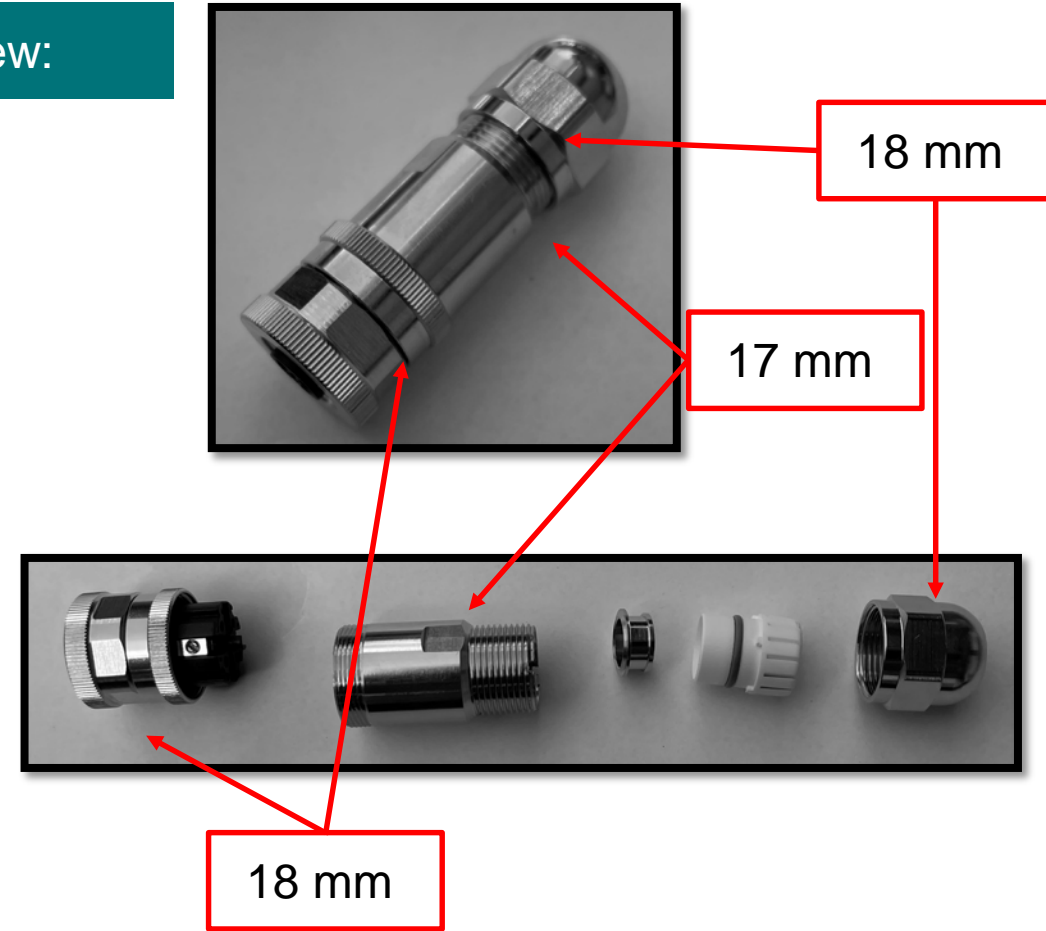
Product change notification – CBF220023 – SACC M12 4/5pol. Shielded connectors for assembly

Width flat – female connectors straight

Old:



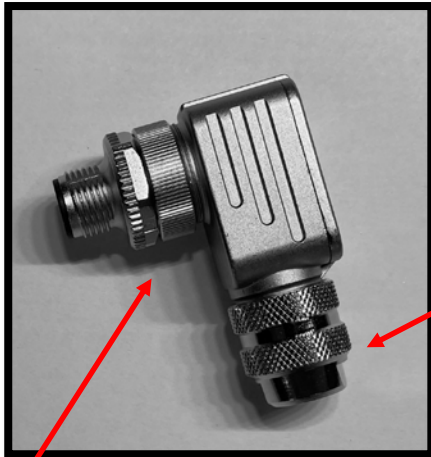
New:



Product change notification – CBF220023 – SACC M12 4/5pol. Shielded connectors for assembly

Width flat – male connectors angled

Old:

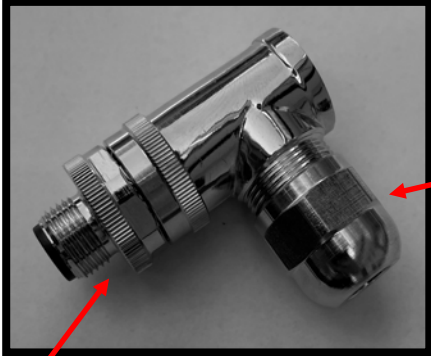


13 mm

18 mm

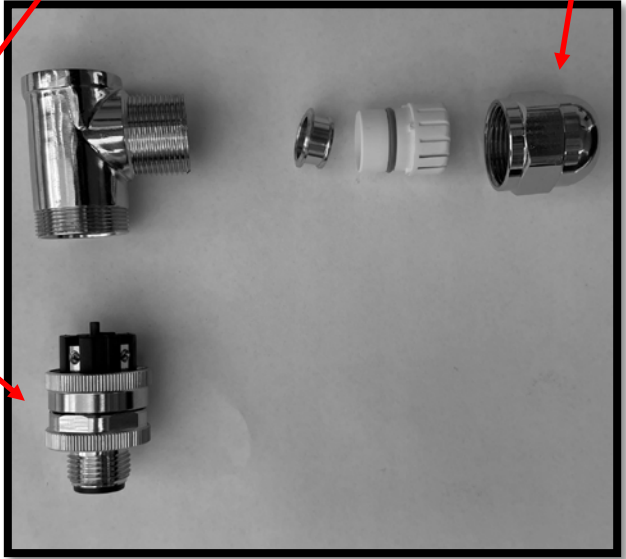


New:



18 mm

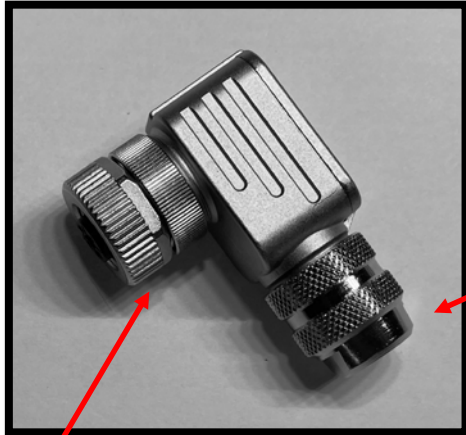
18 mm



Product change notification – CBF220023 – SACC M12 4/5pol. Shielded connectors for assembly

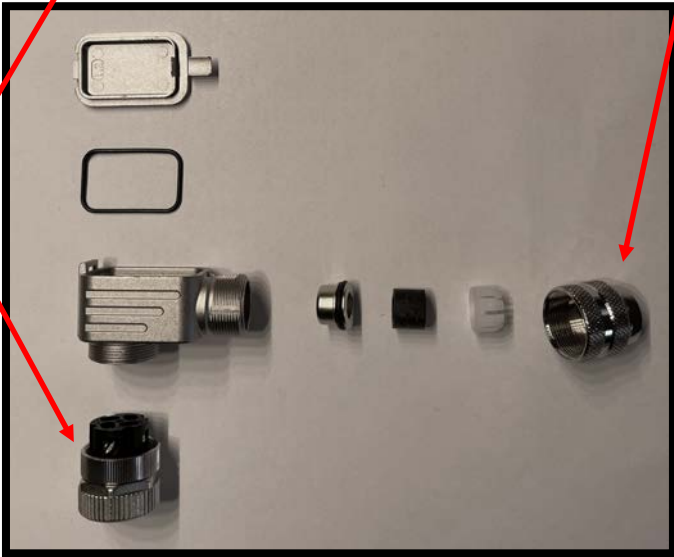
Width flat – female connectors angled

Old:

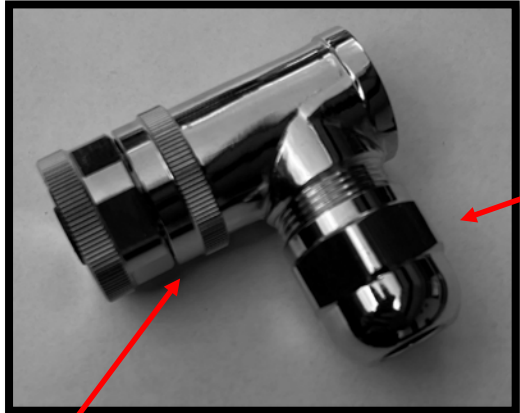


13 mm

18 mm

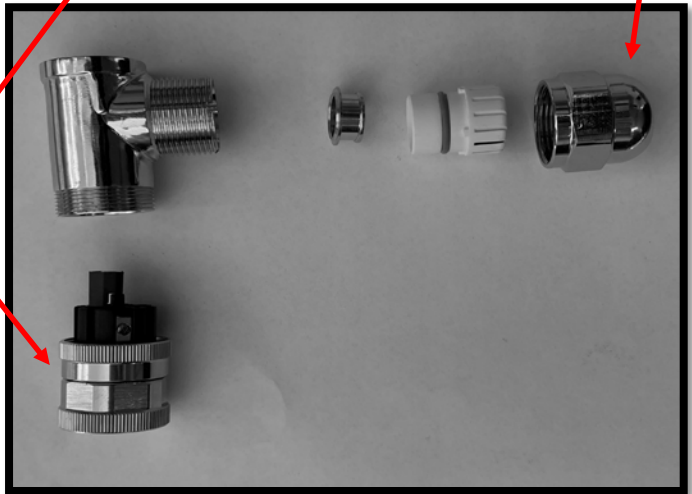


New:



18 mm

18 mm



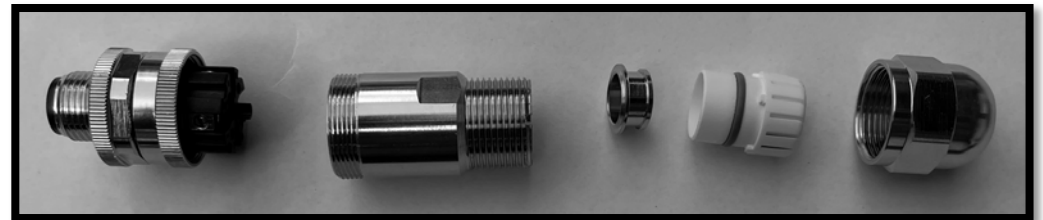
Product change notification – CBF220023 – SACC M12 4/5pol. Shielded connectors for assembly

Design - male connector straight

Old:



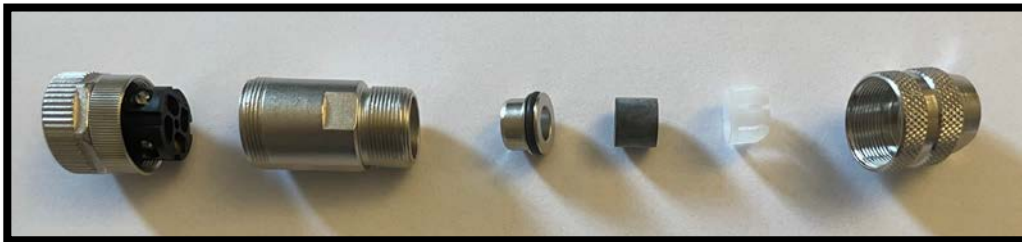
New:



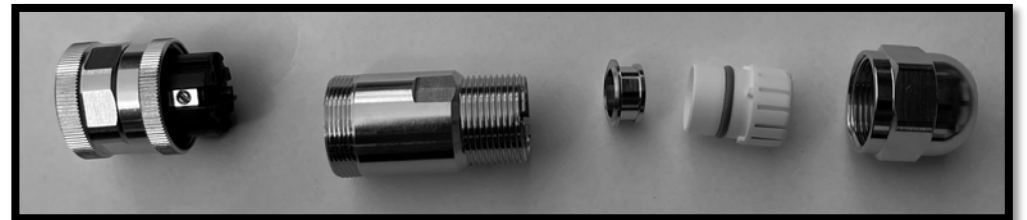
Product change notification – CBF220023 – SACC M12 4/5pol. Shielded connectors for assembly

Design - female connector straight

Old:



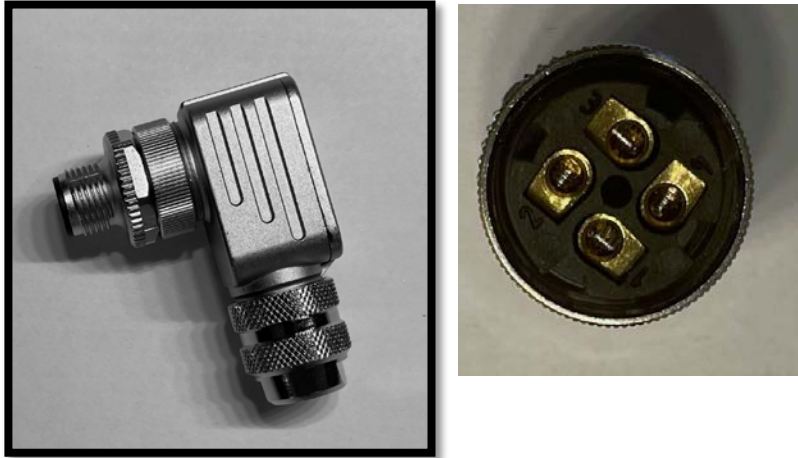
New:



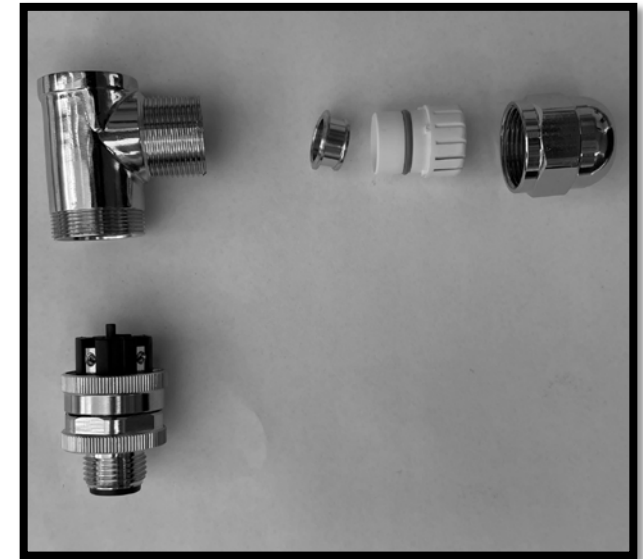
Product change notification – CBF220023 – SACC M12 4/5pol. Shielded connectors for assembly

Design - male connector angled

Old:



New:



Product change notification – CBF220023 – SACC M12 4/5pol. Shielded connectors for assembly

Design - female connector angled

Old:



New:

