

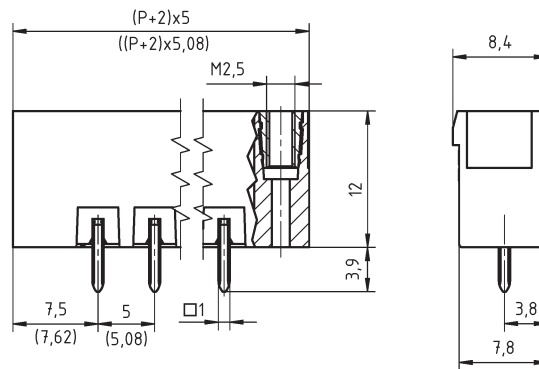
Series STL950/2(-6)F-5.0-V(H)-GREEN(-HC) |  
STL950/2(-6)F-5.08-V(H)-GREEN(-HC)

Launch date 01.08.2022

Classification of modification [ ] Important: Change of ratings  
[X] INFORMATIVE: Change housing geometry | use new coding stars

Use Stocks of the previous variant can continue to be used.

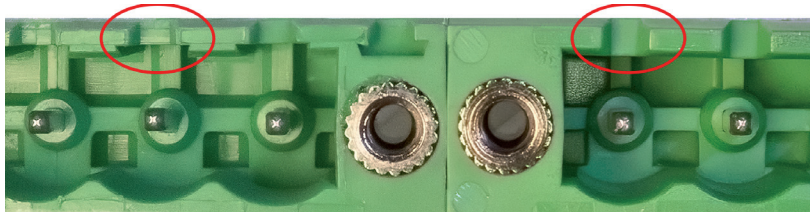
Details - Coding groove be dropped  
- Change all color variants



old



Coding Star CS2-5.0/5.08-RED  
Order Data 50000000024



new



Coding Star CS3-5.0/5.08-RED  
Order Data 50000000025

*The image serves for better visualization between the old and new variant*

Werne, 22.06.2022  
PTR HARTMANN GmbH



Stefan Plötz  
Head of Technology | Werne



Thomas Gramse  
Sales Department Manager  
Connection Technology

06/2022 © PTR HARTMANN GmbH. All rights reserved, also regarding any disposal, exploitation, reproduction, editing, distribution, as well as in the event of applications.