



MPE-Garry GmbH
Schäfflerstraße 13
87629 Füssen
Germany
Tel: +49 (0) 83 62 / 91 56-0
Fax: +49 (0) 83 62 / 91 56-500
vk@mpe-connector.de

Product Change Notification (PCN)

Issue Date: 11.01.2022
Modification / Revision Date: 10.01.2022

094-1 / 094-2 / 094-3

Female Header 8,50 mm Height, 2,54 mm Series 094

Change Notification: 20220110-094

Description of changes: Change of dimensions

Date of change and Implementation: Change: 10.01.2022
Implementation: 11.01.2022

Key Characteristics of Change: Change of several dimensions, affecting all variants of series 094

Products Affected: 094-1 / 094-2 / 094-3

Reason for Change: revision of tooling

Response : Response to this notification is required.

PCN Revision History:

Date of Revision: 10.01.2022

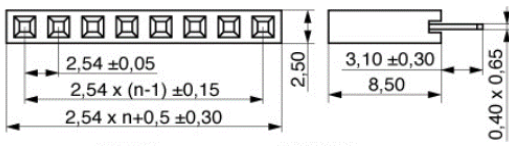
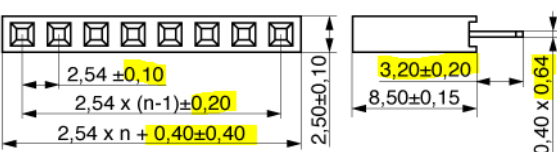
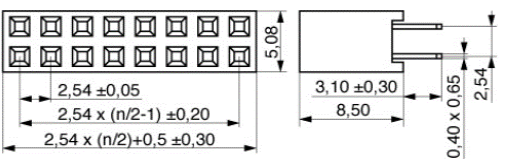
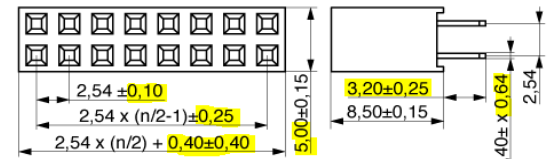
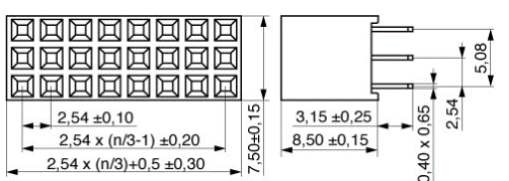
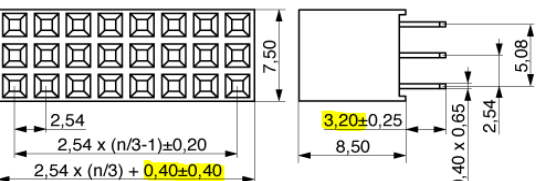
Revision Number: 00

page 1 / 2

MPE-Garry GmbH
 Schäßlerstraße 13
 87629 Füssen
 Germany
 Tel: +49 (0) 83 62 / 91 56-0
 Fax: +49 (0) 83 62 / 91 56-500
 vk@mpe-connector.de

Product Change Notification (PCN)

Issue Date: 11.01.2022
 Modification / Revision Date: 10.01.2022

Variant	Old version	New version
094-1 single row		<p>see yellow marked dimensions</p> 
094-2 double row		<p>see yellow marked dimensions</p> 
094-3 double row	<p>see yellow marked dimensions</p> 	<p>see yellow marked dimensions</p> 

PCN Revision History:

Date of Revision: 10.01.2022

Revision Number: 00

page 2 / 2