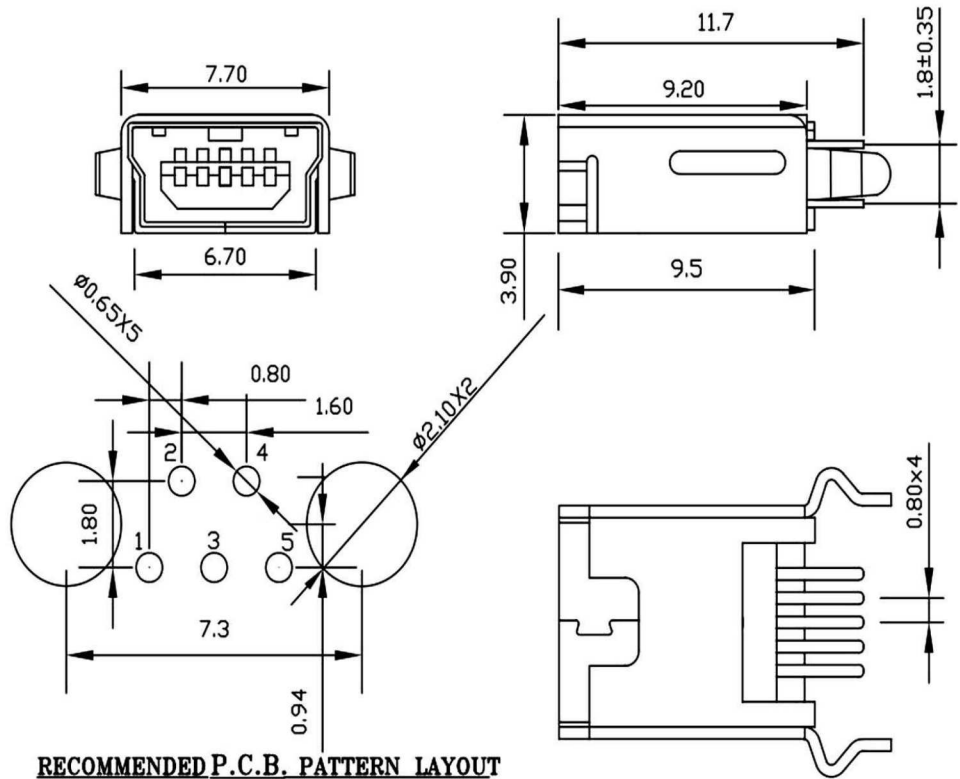


Material:
 A. Insulator: LCP GLASS FIBRE UL94 V-0;
 B. Contact: Phosphor Bronze.
 C. Schell: Brass.
 D. Finish:

Contact = Gold plated on contact area &
 Tin plated on terminal area
 Shell = Nickel plated.

Specifications:
 Electrical:

1. Current Rating: 1.0A/contact terminal
2. Voltage Rating: 30V DC
3. Contact Resistance: 50 milliohms MAX
4. Dielectric Withstanding Voltage:
 300 V AC AT Sea Level
5. Insulation Resistance: 100MEGA ohms MIN



RECOMMENDED P.C.B. PATTERN LAYOUT

General Tolerance X±0.45 X ±0.30 XX±0.15 X° ±2° X° ±1° XX° ±0.5°		Part Name Mini-USB straight 05-pin; Jack; sel. Au/Sn, VPE=100						
W+P WE CONNECT IT			Index Name Date			Part Number 825-2-05-1-60		
Material			Creation date 2017-03-10	Drawn AL	Checked ME	Approved PS	Approval date 2017-03-10	
RoHS 2011/65/EU compliant					Typ of Document		Scale %	
							Sheet	

On release of the data sheet, previous releases are no longer valid. Dimensions and tolerances are subject to change.

Copying of this document, and giving it to others and the use or communication of the contents thereof, are forbidden without express authority. Offenders are liable to the registration of a utility model or design.